

TC Standard Scroll Chuck (Soft and Hard top Jaws)

Thru Hole Range : $\varnothing 57 \sim \varnothing 100$
Clamping Range : $\varnothing 4 \sim \varnothing 300$

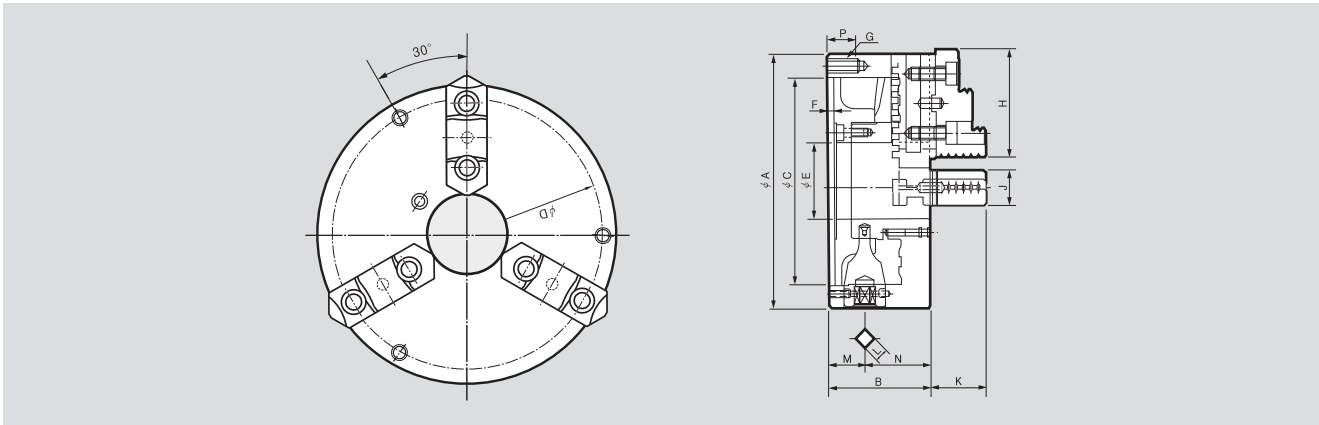


Application / Benefits

For work requiring through hole

Technical features

- Two-piece, reversible base jaw and top hard jaws (soft top jaws also included)
- Rear mounting only
- Self-centering jaws manually opened and closed by t-handle



DIMENSIONS

	TC-190(7")	TC-230(9")	TC-273(10")	TC-310(12")
$\varnothing A$	192	232	273	310
B	78.7	83.7	88	96
$\varnothing C$	155	190	230	260
$\varnothing D$	172	210	250	285
$\varnothing E$	57	75	89	100
F	5	6	6	7
G	3-M10	3-M12	3-M12	3-M12
H	80.5	90.5	103.5	115.5
J	28	32	35	40
K	42.8	53.8	57.82	56.08
L	11	12	12	14
M	27.5	29.5	31.5	31.5
N	51.2	54.2	56.5	64.5
P	20	25	25	25
Mounting bolt	3-M10	3-M12	3-M12	3-M12

SPECIFICATIONS

	TC-190(7")	TC-230(9")	TC-273(10")	TC-310(12")
Max. Static Gripping Force [kN(kgf)]	31(3161)	37(3773)	46(4691)	55(5608)
Clamping Range External [ϕ mm]	4~180	5~220	5~260	10~300
Clamping Range Internal [ϕ mm]	56~170	62~210	70~250	86~290
Handle Torque [N · m(kgf · m)]	107.9(11.0)	147(15.0)	173.5(18.0)	206(21.0)
Max. r.p.m. [min^{-1}]	6500	2900	2500	2200
Weight [kg]	12.2	21.2	28	41
Moment of inertia [N · m ² (kg · m ²)]	2.35(0.24)	6.24(0.64)	9.90(1.01)	23.0(2.35)

※ Maximum turning speed is based upon actual measurement.