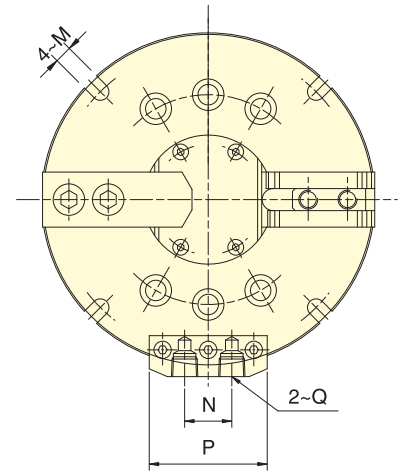
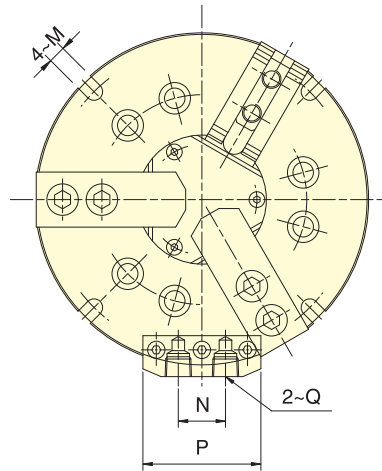
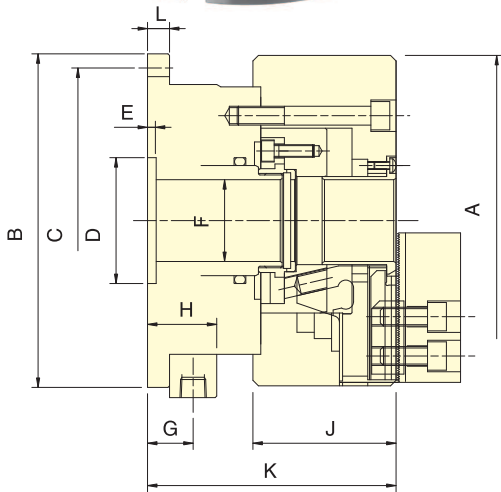




Application/customer benefits

- It's a STATIONARY CHUCKS with two or three jaws for drilling, milling and other machines.
- Specification and size of matching chuck for model VH-200 is the same as model 2H.
- Specification and size of matching chuck for model VH-300 is the same as model 3H.



Specifications

* Subject to technical changes.

Model	Eff. Piston area cm ²		Jaw stroke (Dia.) (mm)	Max. pressure MPa(kgf/cm ²)	Weight (kg)
	Extend	Retract			
VH-204	49.7	46.5	5.4	2.0(20)	7.9
VH-304	49.7	46.5	5.4	3.0(30)	8.1
VH-205	66	58.9	5.4	2.0(20)	11.7
VH-305	66	58.9	5.4	3.0(30)	11.9
VH-206	103.1	94.4	5.5	1.6(16)	19.8
VH-306	103.1	94.4	5.5	2.3(23)	20.2
VH-208	125.7	115.4	7.4	2.0(20)	32.3
VH-308	125.7	115.4	7.4	3.0(30)	33.6
VH-210	202.6	189.3	8.8	1.5(15)	55.5
VH-310	202.6	189.3	8.8	2.3(23)	56.5

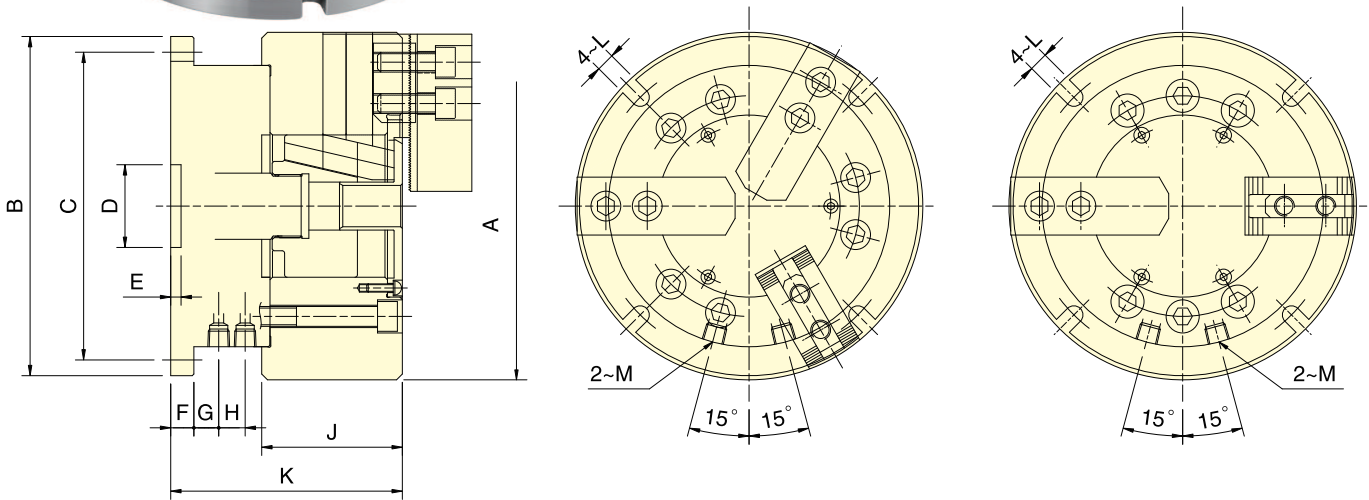
Dimensions

Model	A	B	C	D(H8)	E	F	G	H	J	K	L	M	N	P	Q
VH-204	110	150	132	50	5	23	23	34	59	106.5	12	9	26	62	RC1/4
VH-304	110	150	132	50	5	23	23	34	59	106.5	12	9	26	62	RC1/4
VH-205	135	168	150	60	5	30	23	34	60	111	12	9	26	62	RC1/4
VH-305	135	168	150	60	5	30	23	34	60	111	12	9	26	62	RC1/4
VH-206	169	194	176	80	5	40	25	36	81	141	14	11	26	62	RC1/4
VH-306	169	194	176	80	5	40	25	36	81	141	14	11	26	62	RC1/4
VH-208	210	212	190	80	5	45	29	44	91	158	14	13.5	30	75	RC3/8
VH-308	210	212	190	80	5	45	29	44	91	158	14	13.5	30	75	RC3/8
VH-210	254	266	246	90	6	70	32	47	100	190	17	13	30	75	RC3/8
VH-310	254	266	246	90	6	70	32	47	100	190	17	13	30	75	RC3/8



Application/customer benefits

- It's a STATIONARY CHUCKS with two or three jaws for drilling, milling and other machines.
- Specification and size of matching chuck for model VP-200 is the same as model 2P.
- Specification and size of matching chuck for model VP-300 is the same as model 3P.



Specifications

* Subject to technical changes.

Model	Eff. Piston area cm ²		Jaw stroke (Dia.) (mm)	Max. pressure MPa(kgf/cm ²)	Weight (kg)
	Extend	Retract			
VP-204	28	24.9	6.4	2.1(21)	7.1
VP-304	28	24.9	6.4	3.2(32)	7.4
VP-205	28	24.9	6.4	2.2(22)	10.2
VP-305	28	24.9	6.4	3.3(33)	10.6
VP-206	63.1	53.5	8.5	2.3(23)	18.3
VP-306	63.1	53.5	8.5	3.4(34)	19.8
VP-208	103.4	90.8	8.8	1.9(19)	31.6
VP-308	103.4	90.8	8.8	2.8(28)	33.6
VP-210	153.1	133.5	8.8	1.5(15)	52.8
VP-310	153.1	133.5	8.8	2.2(22)	54.5

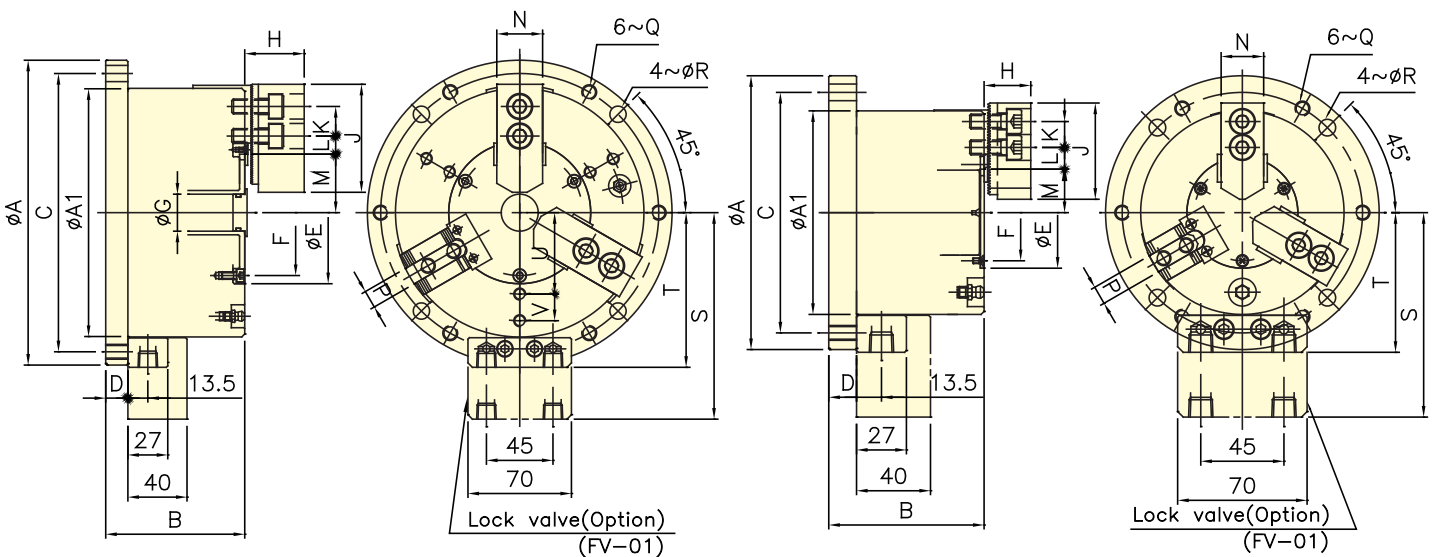
Dimensions

Model	A	B	C	D(H8)	E	F	G	H	J	K	L	M
VP-204	110	146	130	30	4.5	12	18	2	52	92	9	RC1/4
VP-304	110	146	130	30	4.5	12	18	2	52	92	9	RC1/4
VP-205	135	146	130	30	4.5	12	18	2	55	95	9	RC1/4
VP-305	135	146	130	30	4.5	12	18	2	55	95	9	RC1/4
VP-206	165	178	160	40	5	12	14.5	12.5	74	125	11	RC1/4
VP-306	165	178	160	40	5	12	14.5	12.5	74	125	11	RC1/4
VP-208	210	205	186	40	5	14	15	16	85	140	11	RC1/4
VP-308	210	205	186	40	5	14	15	16	85	140	11	RC1/4
VP-210	254	248	225	50	6	17	20	18	89	176	13	RC3/8
VP-310	254	248	225	50	6	17	20	18	89	176	13	RC3/8



Application/customer benefits

- It is a thru-hole stationary chuck with build-in hydraulic cylinder.
- With small thru-hole and suits for long bar workpiece processing.
- Easy to install. Installing the tubes and then operating.
- For pneumatic power, lock valve unit can be used as option. With the lock valve unit, the pressure can be kept after the air supply is cut off.
- Thin and compact design. Use standard soft jaws or standard hard jaws.
- Can work together with multi-plate.



SP-306,308,310

SP-304

* Subject to technical changes.

Specifications

Model	Jaw stroke (Dia.) (mm)	Chucking Dia. (mm)		Max. clamping force kN		Max. pressure kg/cm ²		Min. pressure (kg/cm ²)	Air consumption lit (at 6.0 kgf/cm ²)	Weight (kg)
		Max.	Min.	Pneumatic (at 6.0kgf/cm ²)	Hydraulic (at 13.0kgf/cm ²)	Pneumatic	Hydraulic			
SP-304	5.1	110	10	7.5	22	6	13	2	0.5	7
SP-306	5.5	168	30	21	52	6	13	2	1.4	16.5
SP-308	6.8	210	42	33	74	6	13	2	2.5	28.7
SP-310	7	254	52	48	107	6	13	2	4.2	42

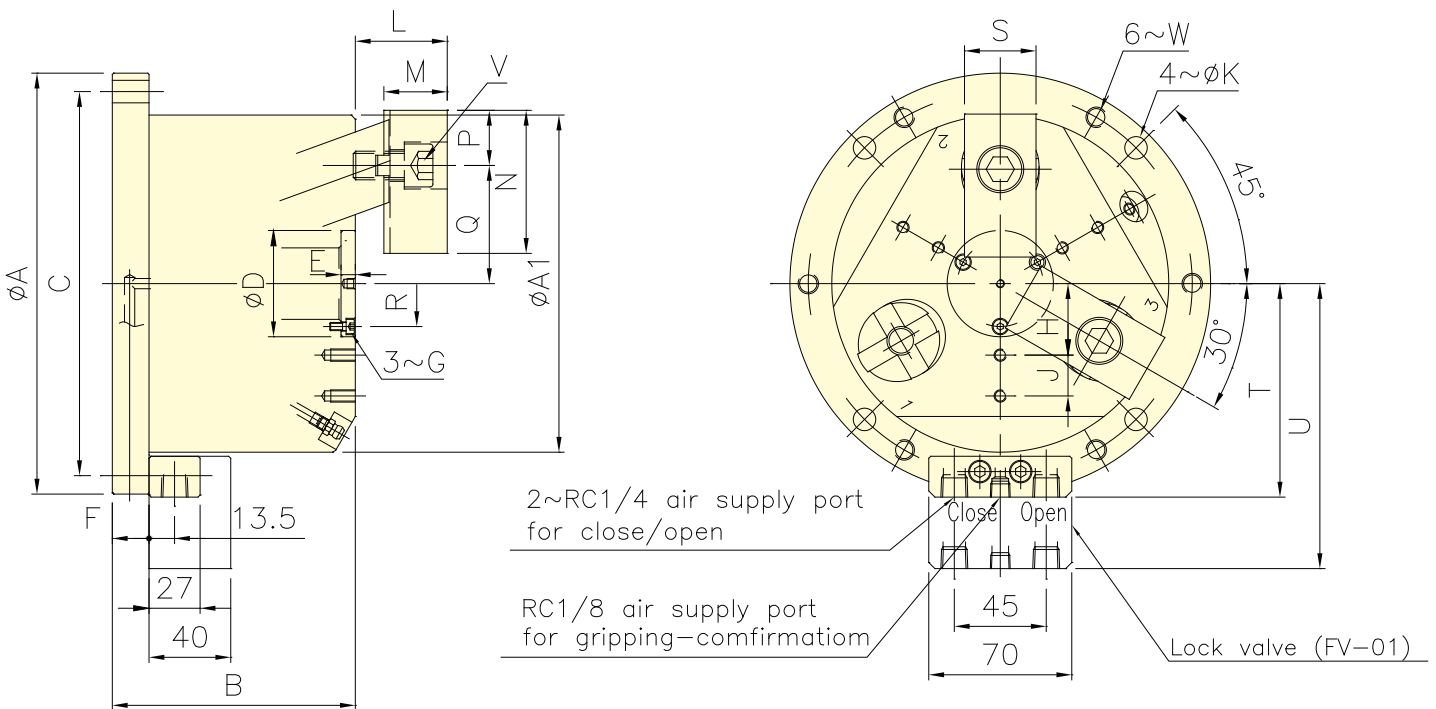
Dimensions

Model	A(h7)	A1	B	C	D	E(H7/h7)	F	G	H	J	K	Lmax.	Lmin.	Mmax.	Mmin.	N	P	Q	R	S	T	U	V
SP-304	148	110	84	130	15	60	52	-	25.25	52	14	14.75	11.75	23.5	20.95	23	10	M8X1.25	9	110.5	75.5	-	-
SP-306	206	168	94	188	15	96	85	25	40.25	73	20	18.25	12.25	39.5	36.75	31	12	M10X1.5	11	139.5	104.5	55	18
SP-308	248	210	108	230	15	113	102	32	41.25	95	25	20.75	16.25	49.5	46.1	35	14	M10X1.5	11	160.5	125.5	68	25
SP-310	300	254	112	280	16	138	127	54	46.25	110	30	29.25	20.25	57	53.5	40	16	M12X1.75	13	182.5	147.5	85	30



Application/customer benefits

- With workpiece can do radial clamp and axial pull-down at the same time, which able to closer surface of the chuck.
- Can cooperate with the airtight detection, and axial position confirm, suitable for the precision of large length size process.
- The body with heat treatment and the organization of cylinder pull-down, and fine boring, which guarantee to the high clamping precision and durability, it's suitable for heavy duty machining.



* Subject to technical changes.

Specifications

Model	Jaw stroke (Dia.) (mm)	Chucking Dia. (mm)		Max. clamping force kN		Max. pressure kg/cm ²		Min. pressure (kg/cm ²)	Air consumption lit (at 6.0 kgf/cm ²)	Weight (kg)
		Max.	Min.	Pneumatic (at 6.0kgf/cm ²)	Hydraulic (at 13.0kgf/cm ²)	Pneumatic	Hydraulic			
* SD-304	5	110	18	5	10.9	6	13	2	0.26	8.1
* SD-306	7.2	165	35	11.5	25	6	13	2	0.58	20.6
* SD-308	7.2	210	28	21.7	47	6	13	2	1.02	34.1

Dimensions

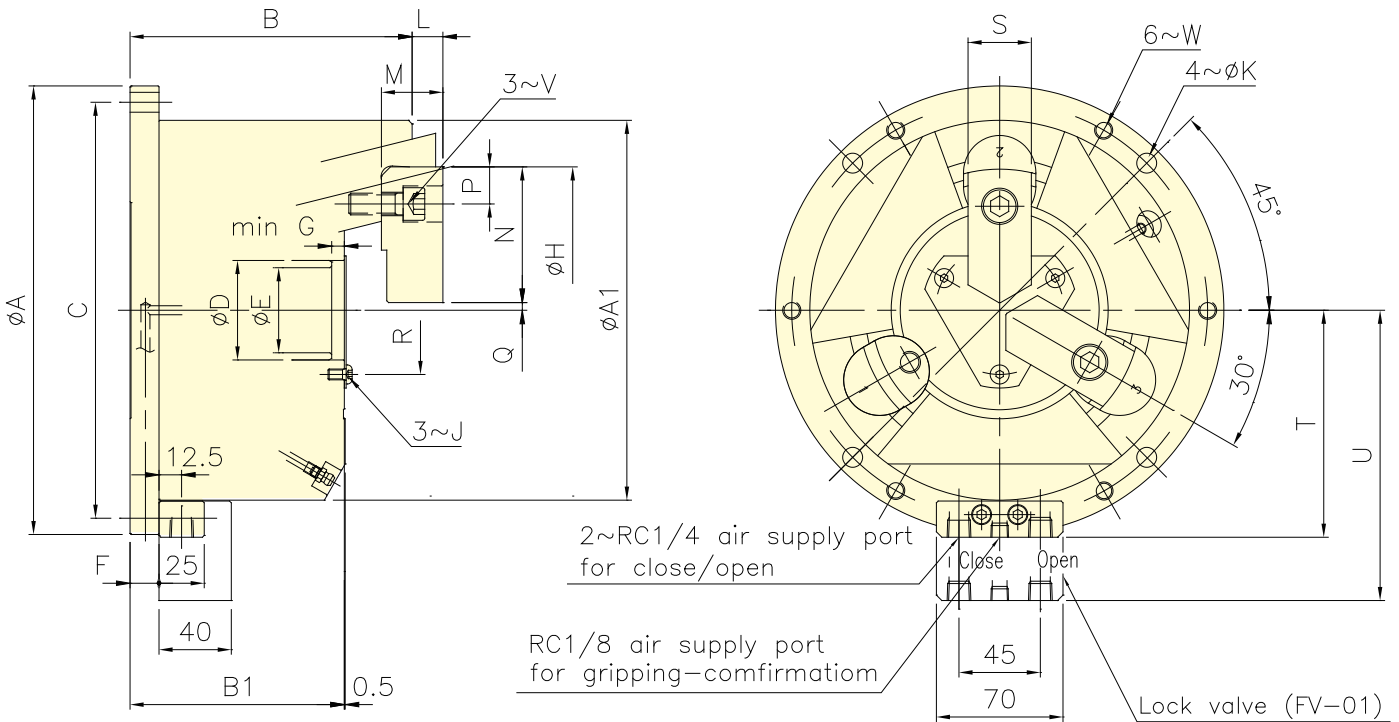
Model	A(h7)	A1	B	C	D(H7/h7)	E	F	G	H	J	K	L max.	L min.	M	N	P	Q max.	Q min.	R	S	T	U	V	W
* SD-304	148	110	93.5	130	35	2	15	M3	22.5	10	9	30	23	19.5	52	19	37	34.5	27	25	75.5	110.5	3~M10	M8x1.25
* SD-306	206	165	116	188	52	7	18	M4	35	20	11	45	35	31	70	27	57.8	54.2	42	35	104.5	139.5	3~M14	M10x1.5
* SD-308	248	210	122	230	65	10	18	M5	45	25	11	56	46	41	84	31	70.8	67.2	53	40	125.5	160.5	6~M12	M10x1.5

*model produced only by order.



Application/customer benefits

- It's a stationary chuck with workpiece can do radial clamp and axial pull-down at the same time, which able to closer surface of the chuck. For drilling, milling and other machines.
- Can cooperate with the airtight detection, and axial position confirm, suitable for the precision of large length size process.
- The body with heat treatment and the organization of cylinder pull-down, and fine boring, which guarantee to the high clamping precision and durability, it's suitable for heavy duty machining.



* Subject to technical changes.

Specifications

Model	Jaw stroke (Dia.) (mm)	Chucking Dia. (mm)		Max. clamping force kN		Max. pressure kg/cm ²		Min. pressure (kg/cm ²)	Air consumption lit (at 6.0 kgf/cm ²)	Weight (kg)
		Max.	Min.	Pneumatic (at 6.0kgf/cm ²)	Hydraulic (at 13.0kgf/cm ²)	Pneumatic	Hydraulic			
* SU-304	3	60	5	6.7	16	6	13	2	0.26	7.4
* SU-306	5	105	31	18.5	40	6	13	2	0.58	18
* SU-308	5	132	32	37	80	6	13	2	1.02	31.5

Dimensions

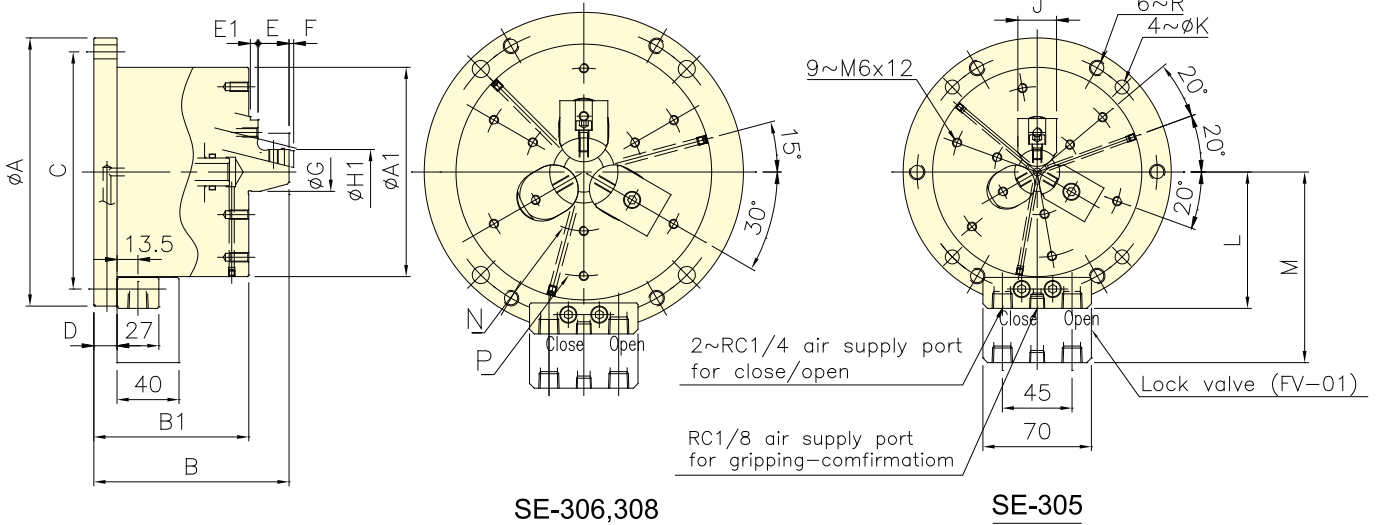
Model	A(h7)	A1	B	B1	C	D(H6)	E	F	G	H(H6)	J	K	L max.	L min.	M	N	P	Q max.	Q min.	R	S	T	U	V	W
* SU-304	148	110	101.5	83.5	130	32	24	15	4.5	84	M5	9	7	1	17	40	9.5	2.75	1.25	42	20	75.5	110.5	M6	M8x1.25
* SU-306	206	168	136.5	104	188	35	25	18	6	129	M5	11	15	5	30	50	17	15.75	13.25	49	30	104.5	139.5	M10	M10x1.5
* SU-308	248	210	155	118	230	55	45	18	7	156	M6	11	17	7	34	63	20.5	16.25	13.75	71	35	125.5	160.5	M12	M10x1.5

*model produced only by order.



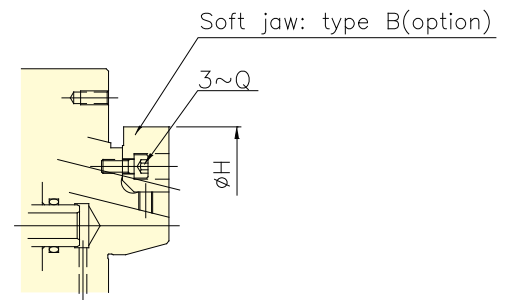
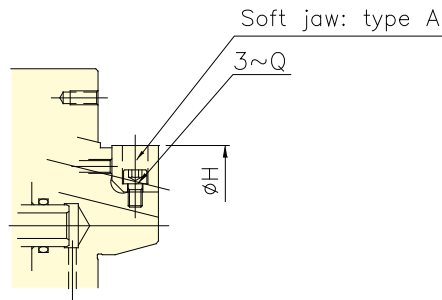
Application/customer benefits

- Master jaw can gripped the workpiece directly when the gripping diameter is small.
- Can cooperate with the airtight detection, and axial position confirm, suitable for the precision of large length size process.
- With high precision and stability that chuck suitable for end process.
- No need to add the stationary cylinder additionally.



SE-306,308

SE-305



* Subject to technical changes.

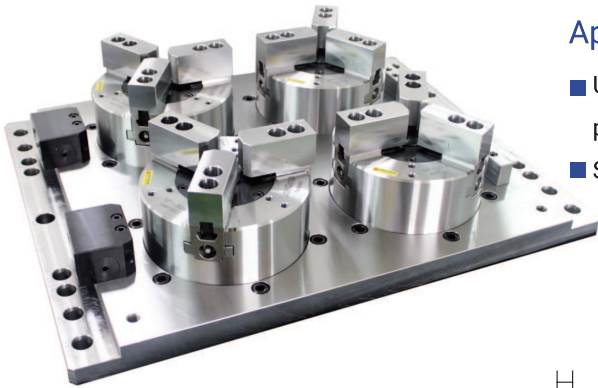
Specifications

Model	Jaw stroke (Dia.) (mm)	Chucking Dia. (mm)		Max. clamping force kN		Max. pressure kg/cm ²		Min. pressure (kg/cm ²)	Air consumption lit (at 6.0 kgf/cm ²)	Weight (kg)
		Max.	Min.	Pneumatic (at 6.0kgf/cm ²)	Hydraulic (at 13.0kgf/cm ²)	Pneumatic	Hydraulic			
* SE-305	3	83	29	14.3	41	7	13	2	0.46	14.6
* SE-306	5	110	44	20	57	7	13	2	0.58	20
* SE-308	5	150	50	32	78	7	13	2	1.02	33

Dimensions

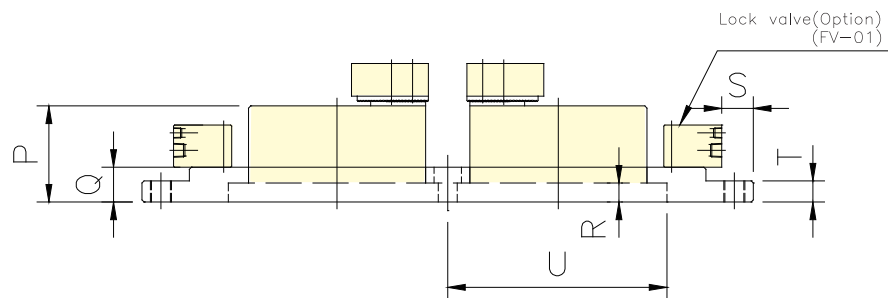
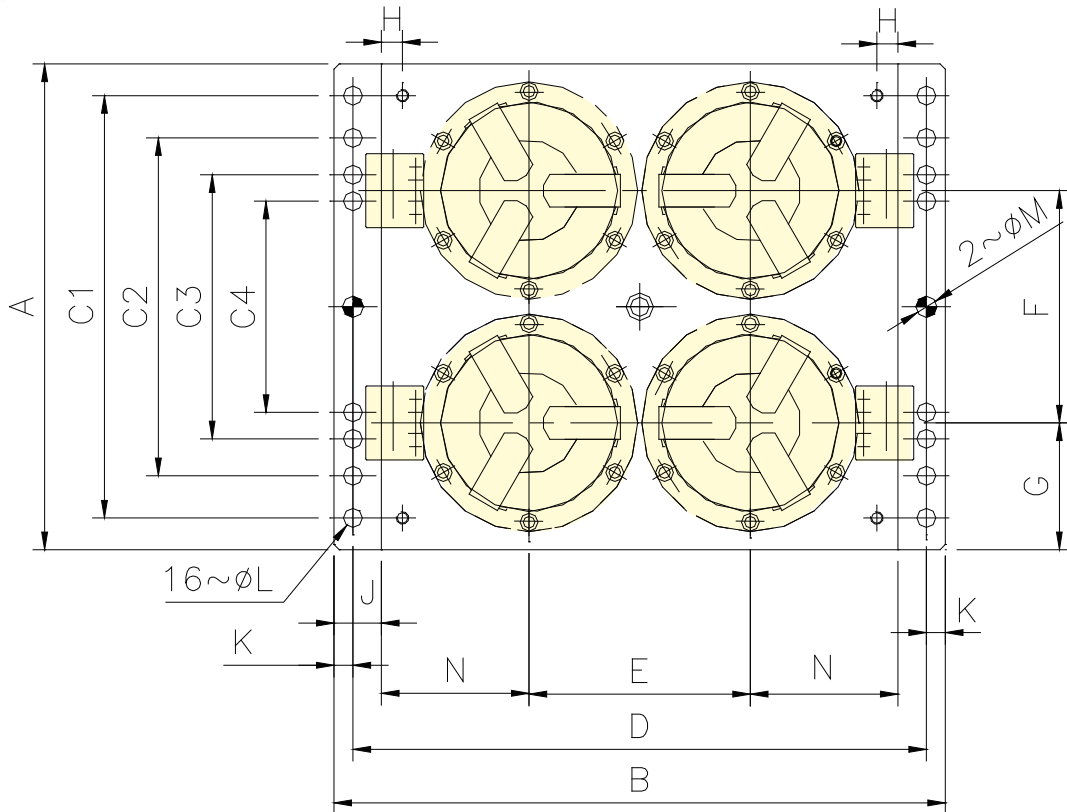
Model	A(h7)	A1	B	B1	C	D	E	E1	Fmax	Fmin	G	Type A		Type B		H1		J	K	L	M	N	P	Q	R
												Hmax	Hmin	Hmax	Hmin	Hmax	Hmin								
* SE-305	173	135	126	100	155	15	20	5	3	-3	25	68	50	83	67	50	29	25	9	88	123	55	110	3~M6	M8x1.25
* SE-306	206	168	140	108	188	18	23	7	5	-5	40	90	70	110	89	70	44	31	11	104.5	139.5	76	134	3~M8	M10x1.5
* SE-308	248	210	164	119	230	18	30	9	5	-5	49	110	90	150	108	90	50	35	11	125.5	160.5	100	170	3~M8	M10x1.5

*model produced only by order.



Application/customer benefits

- Use for milling machine or machining center to achieve simultaneous processing of multiple workpieces.
- Stationary cylinder lock valve (option) can be mounted.



* Subject to technical changes.

Dimensions

Model	A	B	C1	C2	C3	C4	D	E	F	G	H	J	K	L	M	N	P	Q	R	S	T	U
MP4-06206	460	580	400	320	250	200	544	210	220	120	20	45	18	17	20	140	*B	33	18	20	20	206

*B compare the size B for assembled chuck model.