

KFD-G



APPLICATION

Power chuck without through-hole for clamping workpieces with collars or shoulders (e.g. fittings), without having to give up high clamping force.

TYPE

Power chuck is available with cylindrical center mount.
2-jaw version with serration 90° (sizes 125 + 160 with tongue and groove).

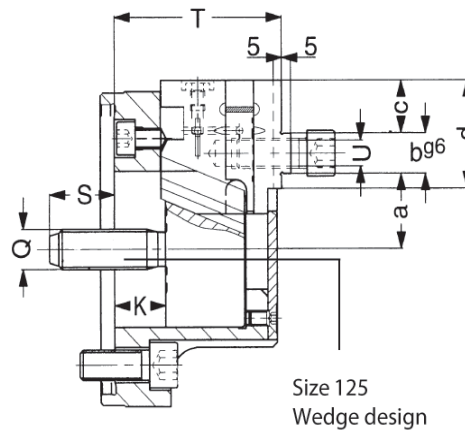
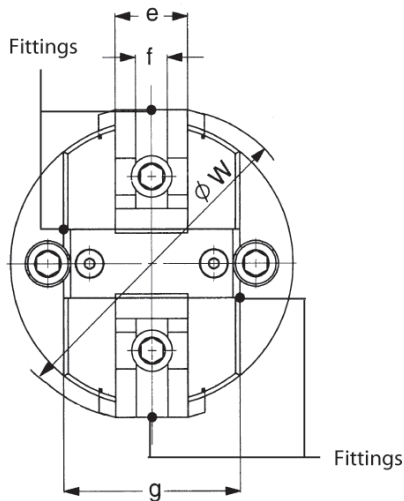
CUSTOMER BENEFITS

- ③ Minimization of the interference contours of the chuck by means of bevels on the chuck body
- ③ Excessively high jaw stroke for flexible chuck use
- ③ Long service life - Sealed against dirt and water
- ③ High clamping precision thanks to proven wedge hook system

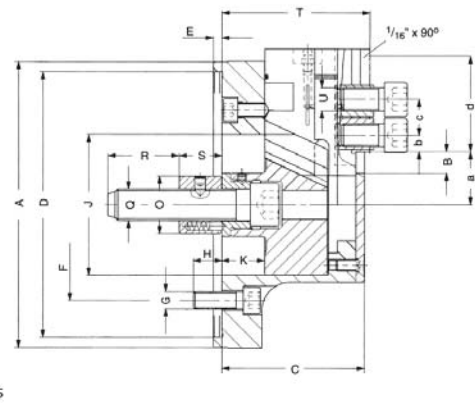
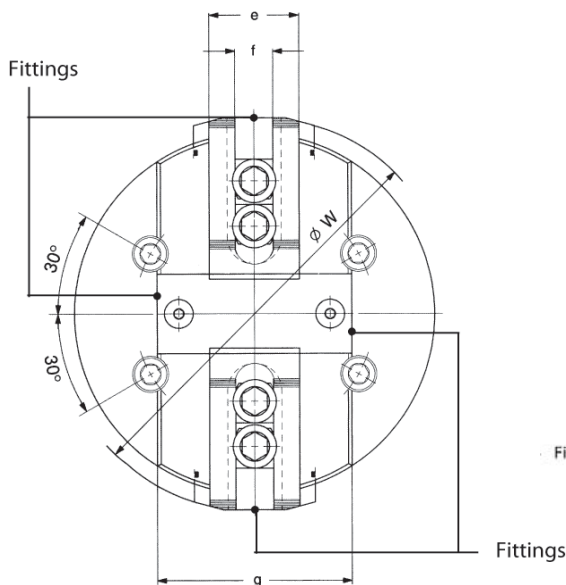
TECHNICAL FEATURES

- Power transmission by means of wedge hook system
- Direct lubrication of base jaws and pistons (4 lubrication points)
- Full steel design

Size 125 + 160
Tongue and groove



Size 125
Wedge design



Fittings

KFD-G 2-jaw, large jaw movement, serration 90°

C15

2-jaw power chuck KFD-G, with large jaw movement,

Adaptor recess for clamping workpieces with collars or shoulders (e.g. fittings), without having to give up high clamping force.

Item no.	154025	154026	154027	154028	154029
Size	125	160	200	250	315
A mm	125	160	200	250	315
Jaw travel B mm	8,5	11	14	14,4	14,4
C mm	70	81	100	102	102
Mount DH6	115	140	185	220	220
E mm	6	6	6	6	6
F mm	92	104,8	133,4	171,4	171,4
G mm	2 x M 12	4 x M 10	4 x M 12	4 x M 16	4 x M 16
H mm	15	16	20	25	25
J mm	62	75	98	98	98
Wedge stroke K mm	22	27	30	31	31
O mm	-	35	44	44	44
Q mm	M 16	M 16	M 22	M 22	M 22
R mm	-	40	50	50	50
S min.	28	33	30	29	29
S max.	50	60	60	60	60
T±0,05 mm	72	84	103,7	105,7	105,7
U	M 12	M 16	M 16	M 20	M 20
WMax.	140	180	220	270	334
a min.	21,5	32,5	23	22,6	22,6
a max.	30	43,5	37	37	37
b min.	16g6	18g6	14	14	14
c min.	21	26	25	31	31
c max.	21	26	55,5	77	103
d mm	43	57,5	71,5	96	128,5
e mm	32	35	50	55	55
fH7 mm	14	18	21	25,5	25,5
g mm	78	91	108	120	120
Maximum draw bar pull kN	13	16	35	45	45
Max. total clamping force kN	10	12	25	29	29
Max. admissible speed min-1	3500	3000	3000	2500	2200
Moment of inertia J kgm2	0,01	0,04	0,09	0,2	0,4
Weight without jaws approx. kg	5	9	17	25	36,5
Actuating cylinders (recommended)	OVS-85	OVS-85	OVS-105	OVS-130	OVS-130

C 21

Soft top jaws, 2-jaw set, can be hardened tongue and groove for 2-jaw chucks, material: 16 MnCr 5


Chuck Size	2-jaw set	Jaw length mm	Jaw height mm	Jaw width mm
125	120321	56,5	53	36,5
160	120320	74,5	53	36,5

C 21

Soft top jaws, 2-jaw set, can be hardened serration 90° - material: 16 MnCr 5


Chuck Size	2-jaw set	Jaw length mm	Jaw height mm	Jaw width mm	Serration
200	120318	94	89	68	1/16"x 90°
200	133149	95	54,5	45	1/16"x 90°
250	120316	110	89	68	1/16"x 90°
315	120073	130	89	68	1/16"x 90°

 Configure your individual clamping jaws online! www.web2product.biz

Special solutions - for power chucks without through-hole



KFD-HS oil - Power chuck with oil bath lubrication

APPLICATION

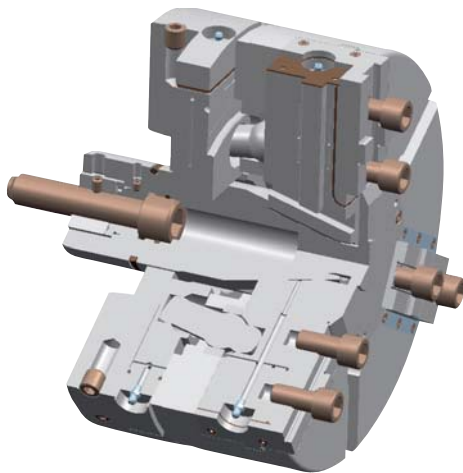
Ideal for use under extreme operating conditions thanks to hermetic seal against dirt and cooling water as well as no required maintenance, for the most time.

TYPE

2-, 3- or 4-jaw version with serration (90°) or tongue and groove. With short taper or cylindrical center mount.

CUSTOMER BENEFITS

- Largely maintenance-free thanks to constant lifetime lubrication of all moving parts through oil filling
- Hermetically sealed against dirt and cooling water
- Ideal for high speeds thanks to KFD-HS principle with simultaneously high concentricity and axial run-out



KFD-F-EC - Power chuck with centrifugal force compensation

APPLICATION

Especially for use under extreme operating conditions, e.g. dry or raw part machining and/or high coolant pressure with simultaneous centrifugal force-sensitive clamping.

TYPE

With centrifugal force compensation.

CUSTOMER BENEFITS

- Low-maintenance and -wear thanks to Easy Care
- Centrifugal force compensation for extremely high speeds



MSF - Diaphragm clamping chuck

APPLICATION

Optimally suited for grinding and hard turning with high precision.

TYPE

With quick-acting jaw change system via HSK interface and standard medium feed-through.

CUSTOMER BENEFITS

- Constant, uniform quality and clamping force thanks to diaphragm technology
- Contamination-resistant
- Quick-acting jaw change system via HSK interface for quick jaw change, maximum precision and change accuracy
- Nearly wear-free