

HC 3-Jaw Closed-Center Chuck (381mm - 1000mm)



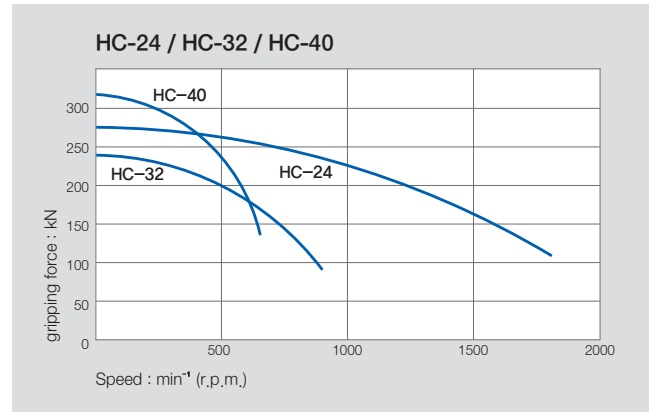
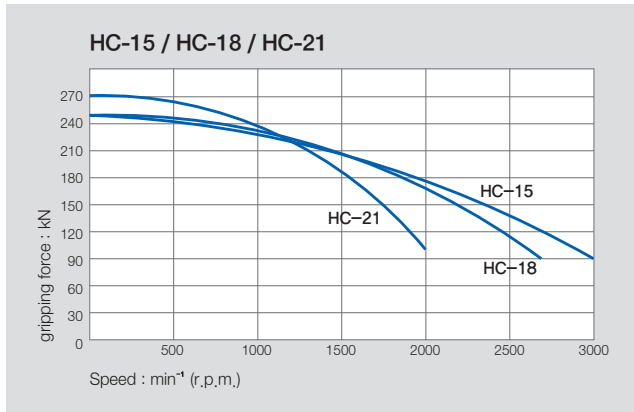
Application / Benefits

Ideal for vertical lathes and work that does not require a through-hole
Large sizes offered for large work

Technical features

Wedge hook style chuck with high gripping force

ACTUAL GRIPPING FORCE DIAGRAM



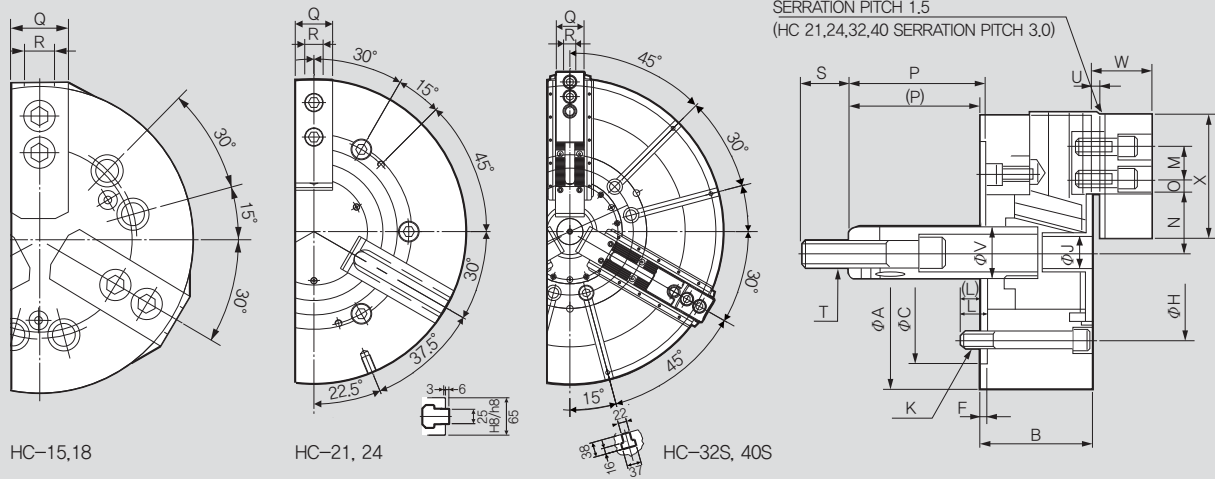
※ When using taller heavier jaw or clamping on a bigger diameter reduce draw pull rotating speed accordingly.

SPECIFICATIONS

	HC-15	HC-18	HC-21	HC-24	HC-32S	HC-40S
Jaw Stroke Dia. [mm]	16	16	16	16	30	30
Plunger Stroke [mm]	35	35	35	35	38	23
Grip Dia. Max [mm]	381	450	530	610	800	1000
Grip Dia. Min [mm]	71	133	62	152	200	330
Max. Permissible Input Force [kN(kgf)]	82(8362)	82(8362)	82(8362)	82(8362)	100(12236)	180(18256)
Max. Static Gripping Force [kN(kgf)]	249(25391)	249(25391)	273(27838)	273(27838)	240(21805)	320(32454)
Max. r.p.m. [min ⁻¹]	3040	2710	1940	1760	800	630
Weight [kg]	96	124	180	223	350	600
Moment of inertia [N · m ² (kg · m ²)]	70.61(7.2)	92.2(9.4)	188.3(19.2)	271.6(27.7)	609.1(61)	1721.8(145.6)
Max. Hydraulic Pressure [MPa(kgf/cm ²)]	3.2(32.6)	3.2(32.6)	3.2(32.6)	3.2(32.6)	3.99(40.8)	3.99(40.8)
Operating Cylinder Hydraulic	Y-2035R(RE)	Y-2035R(RE)	Y-2035R(RE)	Y-2035R(RE)	Y-2050R(RE)	Y-2560RE
Operating Hard Jaw	HB15N1	HB15N1	HB18B2	HB18B2	HB32SB2	HB40SB2
KITAGAWA® Model	N-15	N-18	N-21	N-24	-	-

※ Specifications are subject to change without notice.

※ Samchully Machinery Co., Ltd. is no longer an OEM manufacturer for Kitagawa® Iron Works Co., Ltd.



※ It is recommended to grease chucks at least twice a day in order to maximize longevity.

DIMENSIONS

	HC-15	HC-18	HC-21	HC-24	HC-32S	HC-40S
ΦA	381	450	530	610	800	1000
B	114	114	125	125	150	180
$\Phi C(H6)$	300	300	380	380	380	520
F	6	6	6	6	6	8
ΦH	235	235	330.2	330.2	330.2	463.6
ΦJ	27	27	27	27	65	50
K	6-M20X150	6-M20X115	6-M22X120	6-M22X120	6-M24X120	6-M24X120
L	65	30	31	31	39	32
M	43	43	60	60	76.2	76.2
N max.	77.5	108	86	125	117.3	212.8
N min.	69.5	100	78	117	102.3	187.8
O max.	48.75	48.75	93.5	93.5	234.1	169.8
O min.	23.25	23.25	27.5	27.5	36	17.4
P max.	104	92	97	97	38	30
P min.	69	57	62	62	0	-27
Q	62	62	65	65	75	110
R	25.5	25.5	25	25	12.7	30
S	55	55	55	55	70	65
T	M30x3.5	M30x3.5	M30x3.5	M30x3.5	M30x3.5	M36x4.0
U	2	2	3	3	8	-4
ΦV	60	60	60	60	70	70
W	61	61	70	71	81	106
X	135	135	180	180	165	270

RELATED PRODUCT



HC (Groove type jaws)

3-Jaw Hydraulic / 4-Jaw Independent Chuck
(800mm - 1600mm)



Application / Benefits

Ideal for vertical lathes and work that does not require a through-hole

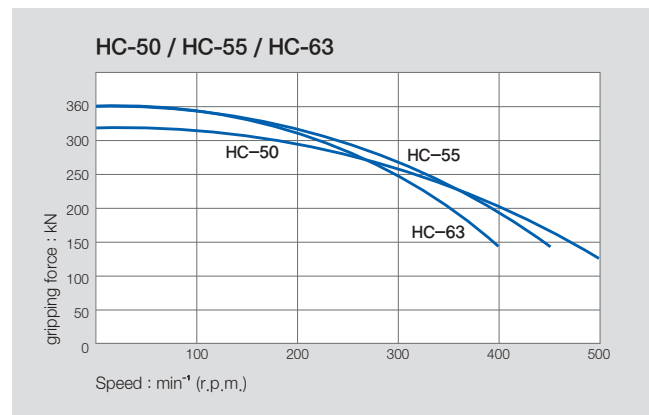
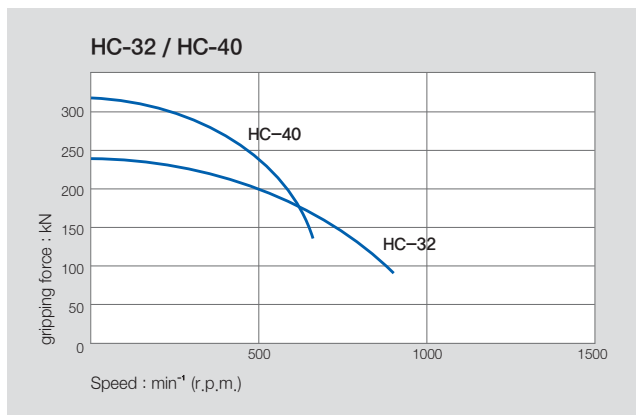
Large sizes offered for large work

Manual adjustment feature allows both hydraulic and manual clamping for covering a wide range of diameters and clamping irregular work

Technical features

Wedge hook style chuck with high gripping force

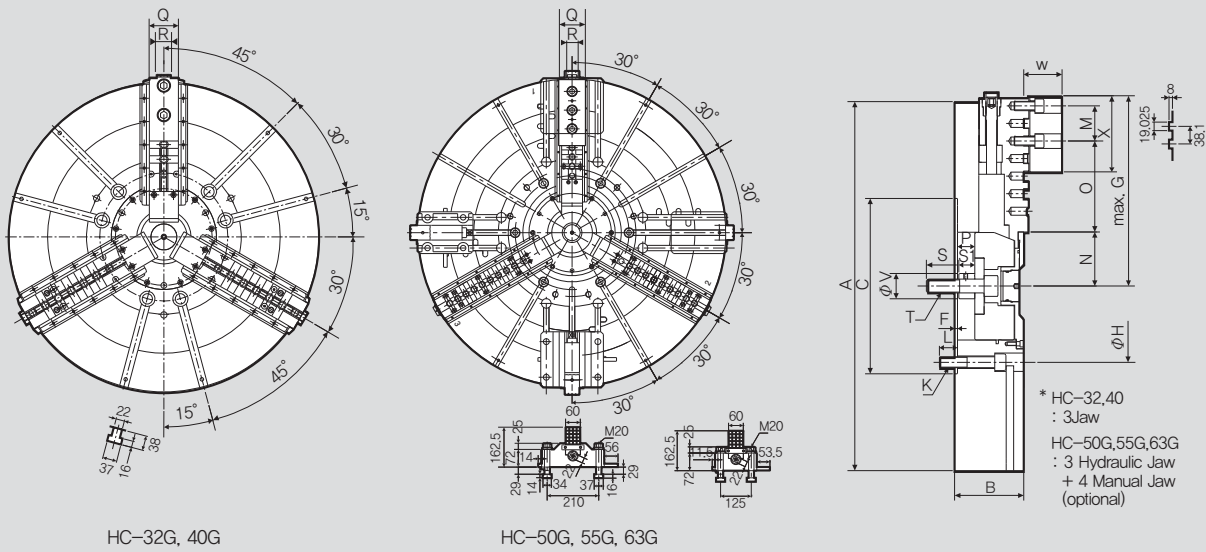
ACTUAL GRIPPING FORCE DIAGRAM



SPECIFICATIONS

	HC-32G	HC-40G	HC-50G	HC-55G	HC-63G
Jaw Stroke Dia. [mm]	30	46	46	48	48
Manual Setting	30	30	30	40	40
Plunger Stroke [mm]	38	57	57	60	60
Grip Dia. Max [mm]	800	1000	1250	1400	1600
Grip Dia. Min [mm]	200	330	330	460	460
Max. Permissible Input Force [kN(kgf)]	100 (12170)	180 (18256)	180 (18256)	200 (20394)	200 (20394)
Max. Static Gripping Force [kN(kgf)]	240 (21805)	320 (32454)	320 (32454)	360 (36710)	360 (36710)
Max. r.p.m. [min⁻¹]	800	630	500	450	400
Weight [kg]	350	600	800	1350	1850
Moment of inertia [N · m²(kg · m²)]	601.9 (61)	1721.8 (174.5)	2169 (220)	2760 (280)	4930 (500)
Operating Cylinder	Y-2050RE	Y-2560RE	Y-2560RE	Y-2560RE	Y-2560RE
Max. Hydraulic Pressure [MPa(kgf/cm²)]	3.99(40.8)	3.99(40.8)	3.99(40.8)	4.5(46)	4.5(46)
Operating Hard Jaw	HB32GB	HB40GB	HB40GB	HB40GB	HB40GB

※ Specifications are subject to change without notice.

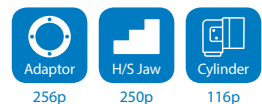


※ It is recommended to grease chucks at least twice a day in order to maximize longevity.

DIMENSIONS

	HC-32G	HC-40G	HC-50G	HC-55G	HC-63G
ΦA	800	1000	1250	1400	1600
B	150	182	180	220	220
$\Phi C(H6)$	380	520	520	720	720
F	6	8	8	8	8
G	442.5	509.6	623.9	710.6	786.8
ΦH	330.2	463.6	463.6	647.6	647.6
K	M24X120L	M24X140L	M24X140L	M24X160L	M24X160L
L	39	32	32	36	36
M	76.2	76.2	76.2	76.2	76.2
N max.	117.6	217.3	217.3	250	250
N min.	102.7	194.3	194.3	226	226
O max.	196.9	91.1	205.4	250.4	335.6
O min.	44.5	14.9	14.9	30.8	30.8
P max.	38	60	60	82	13
P min.	0	3	3	22	22
Q	75	110	110	110	110
S	70	65	65	65	65
S1	35	35	35	35	35
T	M30x3.5	M36x4.0	M36x4.0	M36x4.0	M36x4.0
ΦV	55	70	70	70	70
W	83	106	106	104	104
X	165	270	270	270	270
a1	12.7	30	30	30	30
a2	8	-4	-4	-6	-6
a3	3	4	4	4	4
a4	75	85	85	110	110

RELATED PRODUCT



HC-A 3-Jaw Closed-Center Chuck with Adaptor (165mm - 304mm)



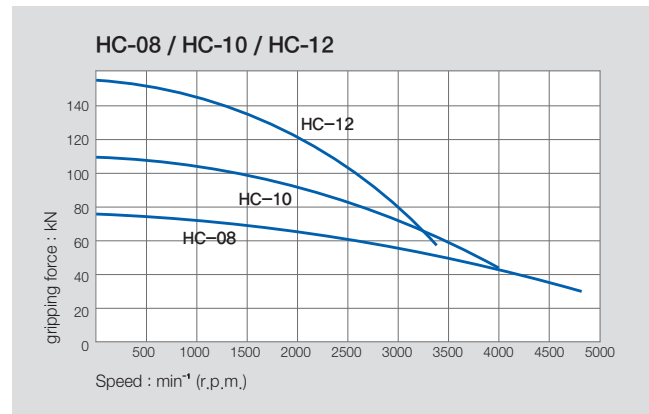
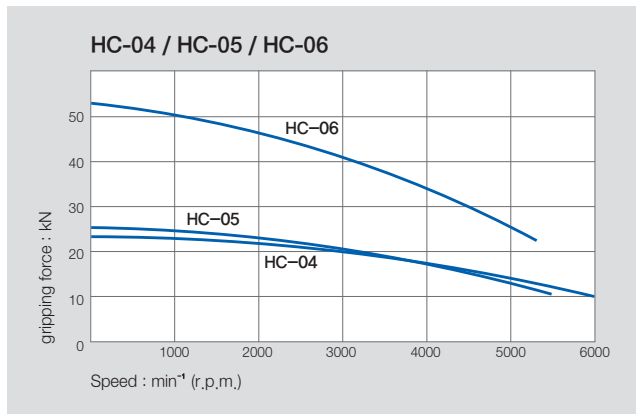
Application / Benefits

Ideal for vertical lathes and work that does not require a through-hole

Technical features

Wedge hook style chuck with high gripping force

ACTUAL GRIPPING FORCE DIAGRAM



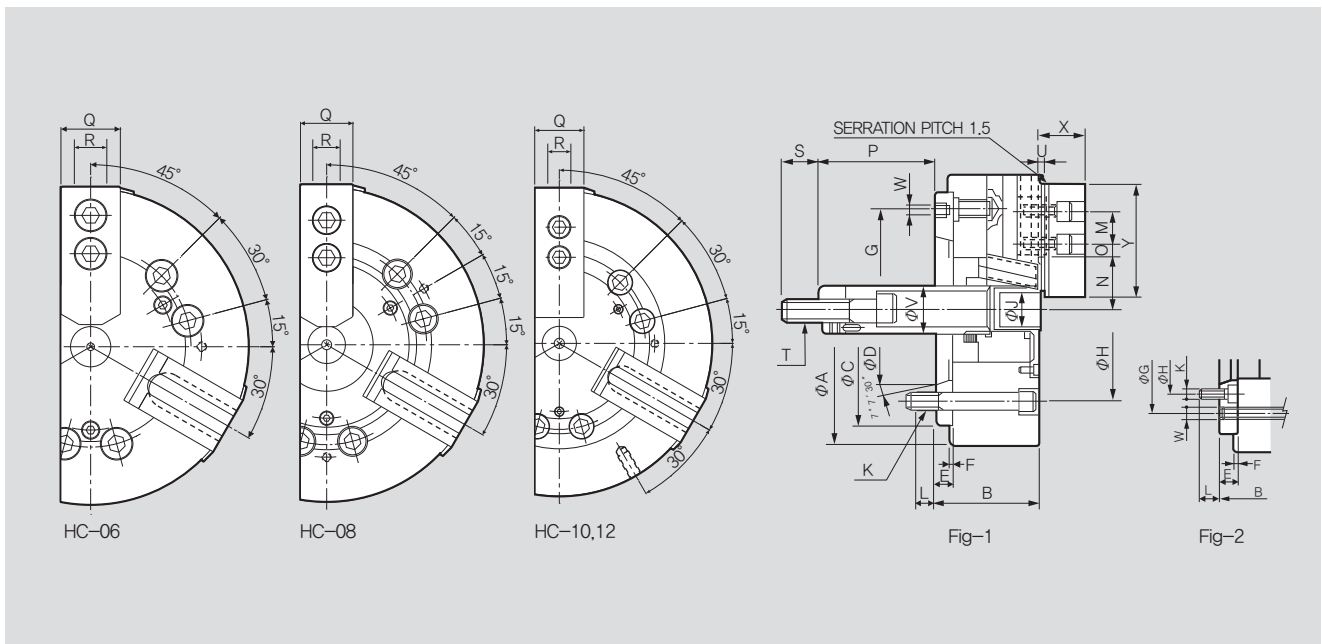
SPECIFICATIONS

	HC-06A05	HC-08A06	HC-10A06	HC-10A08	HC-12A06	HC-12A08
Spindle Nose No.	A2-5	A2-6	A2-6	A2-8	A2-6	A2-8
Jaw Stroke Dia. [mm]	8.5	8.8	8.8	8.8	10.5	10.5
Plunger Stroke [mm]	18.5	19	25	25	30	30
Grip Dia. Max [mm]	165	210	254	254	304	304
Grip Dia. Min [mm]	19	23	24	224	26	26
Max. Permissible Input Force [kN(kgf)]	18(1835)	25(2549)	29(2957)	29(2957)	41(4181)	41(4181)
Max. Static Gripping Force [kN(kgf)]	52.5(5353)	75(7648)	108(11013)	108(11013)	156(15907)	156(15907)
Max. r.p.m. [min ⁻¹]	5270	4760	4010	4010	3380	3380
Weight [kg]	14	27	40	40	67	66
Moment of inertia [N · m ² (kg · m ²)]	1.96(0.20)	5.79(0.59)	13.14(1.34)	12.84(1.31)	29.82(3.04)	29.52(3.01)
Max. Hydraulic Pressure [MPa(kgf/cm ²)]	2.6(26.5)	2.5(25.5)	2.8(28.6)	2.8(28.6)	2.7(27.5)	2.7(27.5)
Operating Cylinder Hydraulic	Y-1020R(RE)	Y-1225R(RE)	Y-1225R(RE)	Y-1225R(RE)	Y-1530R(RE)	Y-1530R(RE)
Operating Cylinder Pneumatic	AY-1720R	AY-2225R	AY-2225R	AY-2225R	AY-2730R	AY-2730R
Operating Hard Jaw	HB06A1	HB08A1	HB10A1	HB10A1	HB12A1	HB12A1
KITAGAWA® Model	N-06A05	N-08A06	N-10A06	N-10A08	N-12A06	N-12A08

※ Refer to Fig-2 for HC-10A06 and HC-12A06.

※ Specifications are subject to change without notice.

※ Samchully Machinery Co., Ltd. is no longer an OEM manufacturer for Kitagawa® Iron Works Co., Ltd.



※ It is recommended to grease chucks at least twice a day in order to maximize longevity.

DIMENSIONS

	HC-06A05	HC-08A06	HC-10A06	HC-10A08	HC-12A06	HC-12A08
ΦA	165	210	254	254	304	304
B	84	97	109	102	125	118
$\Phi C(H6)$	140	170	220	220	220	220
ΦD	82.563	106.375	106.375	139.719	106.375	139.719
E	15	17	25	18	25	18
F	5	5	5	5	6	6
ΦG	116	150	171.4	190	171.4	190
ΦH	104.8	133.4	133.4	171.4	133.4	171.4
ΦJ	21	25	34	34	34	34
K	6-M10	6-M12	6-M12	6-M16	6-M12	6-M16
L	14	18	18.5	25	18	25
M	20	25	30	30	30	30
N max.	37.8	46.3	51.1	51.1	61	61
N min.	33.5	41.9	46.7	46.7	55.75	55.75
O max.	13.75	22.25	30.75	30.75	48.75	48.75
O min.	7.75	11.75	11.25	11.25	12.75	12.75
P max.	83	92(108)	84(128)	101(140)	117(138)	124(145)
P min.	64.5	73(89)	74(89)	76(115)	87(108)	94(115)
Q	31	35	40	40	49	49
R	12	14	16	16	18	18
S	358	36	36	36	36	36
T	M16x2.0	M20x2.5	M20x2.5	M20x2.5	M24x3.0 (M20x2.5)	M24x3.0 (M20x2.5)
U	4	5	5	5	5	5
ΦV	34	38	45	45	50	50
W	3-M6	3-M6	6-M16	3-M8	6-M16	3-M8
X	35	42	46	46	53.5	53.5

RELATED PRODUCT



HC-A 3-Jaw Closed-Center Chuck with Adaptor (381mm - 610mm)



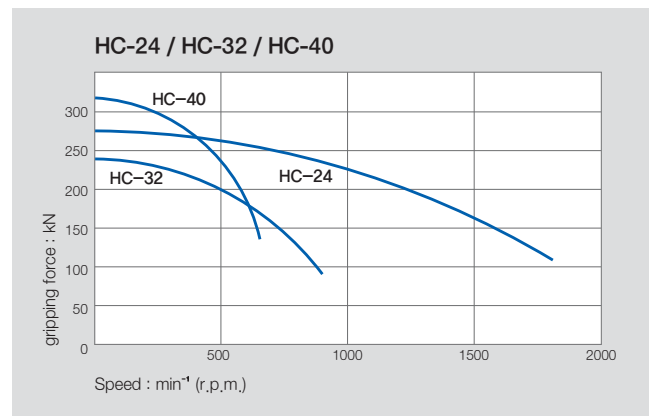
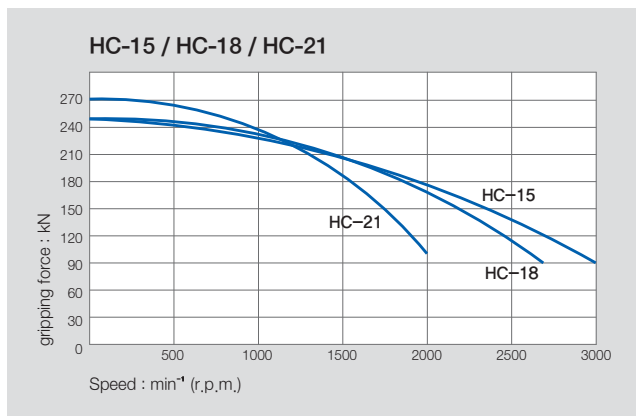
Application / Benefits

Ideal for vertical lathes and work that does not require a through-hole
Large sizes offered for large work

Technical features

Wedge hook style chuck with high gripping force

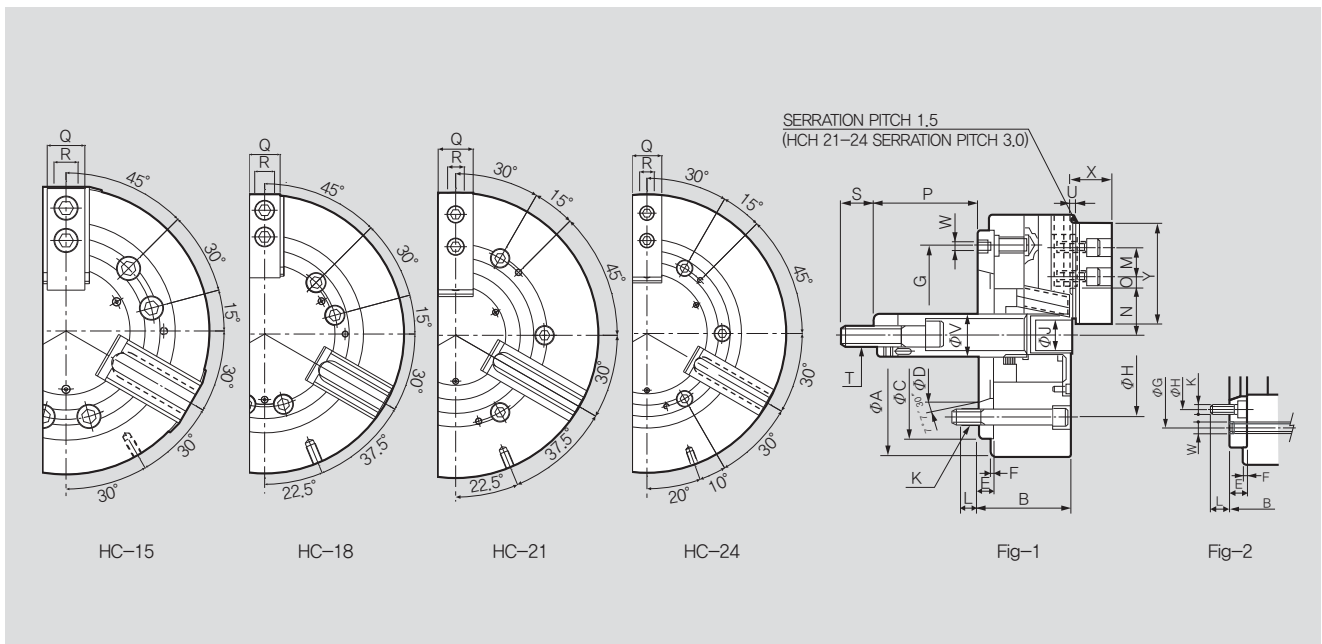
ACTUAL GRIPPING FORCE DIAGRAM



SPECIFICATIONS

	HC-15A08	HC-15A11	HC-18A08	HC-18A11	HC-21A11	HC-21A15	HC-24A11	HC-24A15
Spindle Nose No.	A2-8	A2-11	A2-8	A2-11	A2-11	A2-15	A2-11	A2-15
Jaw Stroke Dia. [mm]	16	16	16	16	16	16	16	16
Plunger Stroke [mm]	35	35	35	35	35	35	35	35
Grip Dia. Max [mm]	381	381	450	450	530	530	610	610
Grip Dia. Min [mm]	71	71	133	133	62	62	152	152
Max. Permissible Input Force [kN(kgf)]	82(8362)	82(8362)	82(8362)	82(8362)	82(8362)	82(8362)	82(8362)	82(8362)
Max. Static Gripping Force [kN(kgf)]	249(25391)	249(25391)	249(25391)	249(25391)	273(27838)	273(27838)	273(27838)	273(27838)
Max. r.p.m. [min⁻¹]	3040	3040	2710	2710	1940	1940	1760	1760
Weight [kg]	105	103	134	131	198	190	241	234
Moment of inertia [N · m²(kg · m²)]	76.49(7.8)	73.55(7.5)	97.08(9.9)	95.12(9.7)	201.03(20.5)	194.15(19.9)	289.28(29.5)	276.54(28.2)
Max. Hydraulic Pressure [MPa(kgf/cm²)]	3.2(32.6)	3.2(32.6)	3.2(32.6)	3.2(32.6)	3.2(32.6)	3.2(32.6)	3.2(32.6)	3.2(32.6)
Operating Cylinder Hydraulic	Y-2035R(RE)	Y-2035R(RE)	Y-2035R(RE)	Y-2035R(RE)	Y-2035R(RE)	Y-2035R(RE)	Y-2035R(RE)	Y-2035R(RE)
Operating Hard Jaw	HB15N1	HB15N1	HB15N1	HB15N1	HB18B2	HB18B2	HB18B2	HB18B2
KITAGAWA® Model	N-15A08	N-15A08	N-18A11	N-18A11	N-21A11	N-21A15	N-24A11	N-24A15

※ Specifications are subject to change without notice.
 ※ Refer to Fig-2 for HC-15A08, HC-18A08, HC-21A11, HC-24A11.
 ※ Samchully Machinery Co., Ltd. is no longer an OEM manufacturer for Kitagawa® Iron Works Co., Ltd.



※ It is recommended to grease chucks at least twice a day in order to maximize longevity.

DIMENSIONS

	HC-15A08	HC-15A11	HC-18A08	HC-18A11	HC-21A11	HC-21A15	HC-24A11	HC-24A15
ΦA	381	381	450	450	530	530	610	610
B	141	130	141	130	161	146	161	146
$\Phi C(H_6)$	300	300	300	300	380	380	380	380
ΦD	139.719	196.869	139.719	196.869	196.869	285.775	196.869	285.775
E	33	22	33	22	42	27	42	27
F	6	6	6	6	6	6	6	6
ΦG	235	260	235	260	330.2	330.2	330.2	330.2
ΦH	171.4	235	171.4	235	235	330.2	235	330.2
ΦJ	27	27	27	27	27	27	27	27
K	6-M16	6-M20	6-M16	6-M20	6-M20	6-M22	6-M20	6-M22
L	24	33	24	33	29	34	29	34
M	43	43	43	43	60	60	60	60
N max.	77.5	77.5	108	108	86	86	125	125
N min.	69.5	69.5	100	100	78	78	117	117
O max.	48.75	48.75	48.75	48.75	93.5	93.5	93.5	93.5
O min.	23.25	23.25	23.25	23.25	27.5	27.5	27.5	27.5
P max.	71	82	59	70	55	70	55	70
P min.	36	47	24	35	20	35	20	35
Q	50	50	50	50	65	65	65	65
R	25.5	25.5	25.5	25.5	25	25	25	25
S	55	55	55	55	55	55	55	55
T	M30x3.5	M30x3.5	M30x3.5	M30x3.5	M30x3.5	M30x3.5	M30x3.5	M30x3.5
U	2	2	2	2	3	3	3	3
ΦV	60	60	60	60	60	60	60	60
W	6-M20	3-M10	6-M20	3-M10	6-M22	3-M12	6-M22	6-M12
X	61	61	61	61	70	70	70	70

RELATED PRODUCT

