

FSC Standard Front-Mounting Scroll Chuck (Hard Jaws)

Thru Hole Range : $\varnothing 34 \sim \varnothing 100$
Clamping Range : $\varnothing 3 \sim \varnothing 300$

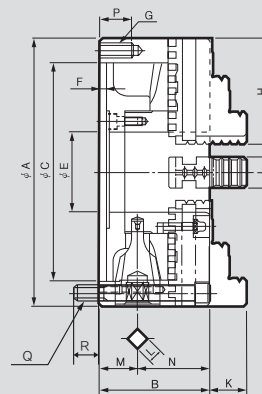
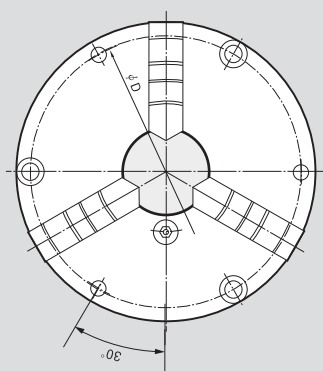


Application / Benefits

For work requiring through hole
Front mounting holes for convenient installation on lathes and spindles

Technical features

Reversible one-piece hard jaws
Self-centering jaws manually opened by t-handle



DIMENSIONS

	FSC-130(5")	FSC-165(6")	FSC-190(7")	FSC-230(9")	FSC-273(10")	FSC-310(12")
φA	130	167	192	232	273	310
B	60	65	75	84	86	96
φC(H6)	100	130	155	190	230	260
φD	115	147	172	210	250	285
φE	34	45	57	75	89	100
F	4.5	5	5	6	6	7
G	3-M8	3-M10	3-M10	3-M12	3-M12	3-M12
H	50	65	75	87	98	110
J	16	19	22	24	28	30
K	19.6	25.07	30.06	35.04	40.02	45.08
L	8	10	11	12	12	14
M	22.5	24	27.5	29.5	31.5	31.5
N	37	41	47.5	54.5	54.5	64.5
P	16	20	20	25	25	25
Q	3-M8x65	3-M10x70	3-M10x85	3-M12x95	3-M12x95	3-M12x110
R	14	16	17	24	20	27

SPECIFICATIONS

	FSC-130(5")	FSC-165(6")	FSC-190(7")	FSC-230(9")	FSC-273(10")	FSC-310(12")
Max. Static Gripping Force [kN(kgf)]	15(1530)	31(3161)	31(3161)	37(3773)	46(4691)	55(5608)
Clamping Range External [φmm]	3~110	3~160	4~180	5~220	5~260	10~300
Clamping Range Internal [φmm]	3~100	48~150	56~170	62~210	70~250	86~290
Handle Torque [N · m(kgf · m)]	63.7(6.5)	88.3(9.0)	107.9(11.0)	147(15.0)	176.5(18.0)	206(21.0)
Max. r.p.m. [min ⁻¹]	2500	4000	3500	2900	2500	2200
Weight [kg]	4.4	11.4	12	21.2	28	41
Moment of inertia [N · m ² (kg · m ²)]	0.35(0.036)	1.18(0.12)	2.35(0.24)	6.27(0.64)	9.90(1.01)	23.0(2.35)

※ Specifications are subject to change without notice.