

ABSIS



APPLICATION

Internal clamping of round workpieces. Turning, grinding and tothing operations, as well as for balancing and measuring. Ideal for clamping in through holes.

TYPE

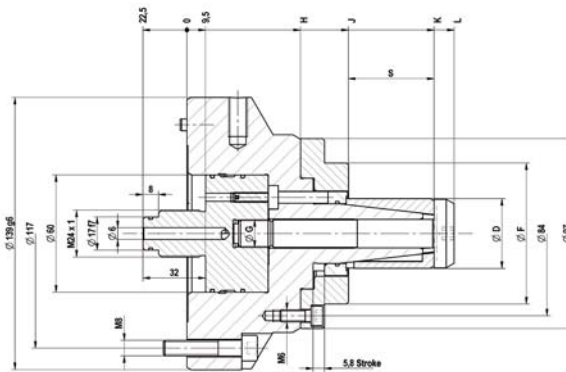
Force-actuated.

CUSTOMER BENEFITS

- ⌚ Short setup and non-productive times thanks to great expansion of the segment sleeves
- 🔊 Vibration damping due to high vulcanized rubber component of the clamping sleeves
- 🔒 Sturdy clamping of the workpiece thanks to axial tension against the workpiece stop
- ⚡ Fast change of segment sleeves thanks to central clamping screw
- 🔄 High concentricity, axial run-out and repeatability

TECHNICAL FEATURES

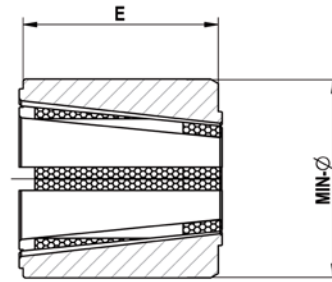
- Manual lubrication
- Air sensing prepared



C 18
ABSIS Segment clamping mandrel, power-operated with flanged seat
 Consisting of basic mandrel, adapter, ejector ring, locking belt

	ABSIS 00	ABSIS 01	ABSIS 02	ABSIS 03	ABSIS 04
Segment clamping mandrel	1110000	1110001	1110002	1110003	1110004
Basic mandrel	1110100	1110101	1110102	1110103	1110104
Adapter power operated	1110040	1110041	1110042	1110043	1110044
Ejector ring	1110020	1110021	1110022	1110023	1110024
Locking bolt	1110060	1110061	1110062	1110063	1110064
F max, in kN	7	10	20	25	30
Max, total clamping force approx, kN	32	46	92	115	138
D Min-Ø unclamped from	19,7	25,7	35,7	50,7	72,7
D Min-Ø unclamped to	27,7	38,7	54,7	81,7	105,7
Clamping-Ø max,	29	40	56	83	107
S mm	23	27	44	50	60
Ø F mm	58	58	72	90	120
Ø G	M6x0,75	M10x1	M14x1	M18x1	M20x1
H mm	55	55	58	58,5	60
J mm	75	75	82,5	84,5	86
K mm	98	102	126,3	134,5	146
L mm	103,5	108,5	136,5	146,5	160

Accessories ABSIS



C 18

Segment clamping sleeve - standard design

	ABSIS 00	ABSIS 01	ABSIS 02	ABSIS 03	ABSIS 04
Expansion in Ø mm	1,2	1,2	1,2	1,2	1,2
Total length E mm	23	27	44	50	60
Min-Ø mm	19,7	25,7	35,7	50,7	72,7
Segment sleeve	1111400	1111409	1111423	1111443	1111475
Work stop	1110070	1110071	1110072	1110073	1110074
Min-Ø mm	20,7	26,7	36,7	51,7	73,7
Segment sleeve	1111401	1111410	1111424	1111444	1111476
Work stop	1110070	1110071	1110072	1110073	1110074
Min-Ø mm	21,7	27,7	37,7	52,7	74,7
Segment sleeve	1111402	1111411	1111425	1111445	1111477
Work stop	1110070	1110071	1110072	1123341	1123372
Min-Ø mm	22,7	28,7	38,7	53,7	75,7
Segment sleeve	1111403	1111412	1111426	1111446	1111478
Work stop	1110070	1110071	1110072	1123342	1123373
Min-Ø mm	23,7	29,7	39,7	54,7	76,7
Segment sleeve	1111404	1111413	1111427	1111447	1111479
Work stop	1110070	1110071	1110072	1123343	1123374
Min-Ø mm	24,7	30,7	40,7	55,7	77,7
Segment sleeve	1111405	1111414	1111428	1111448	1111480
Work stop	1110070	1110071	1110072	1123344	1123375
Min-Ø mm	25,7	31,7	41,7	56,7	78,7
Segment sleeve	1111406	1111415	1111429	1111449	1111481
Work stop	1110070	1110071	1110072	1123345	1173376
Min-Ø mm	26,7	32,7	42,7	57,7	79,7
Segment sleeve	1111407	1111416	1111430	1111450	1111482
Work stop	1123305	1110071	1123327	1123346	1123377
Min-Ø mm	27,7	33,7	43,7	58,7	80,7
Segment sleeve	1111408	1111417	1111431	1111451	1111483
Work stop	1123306	1123315	1123328	1123347	1123378
Min-Ø mm		34,7	44,7	59,7	81,7
Segment sleeve		1111418	1111432	1111452	1111484
Work stop		1123316	1123329	1123348	1123379
Min-Ø mm		35,7	45,7	60,7	82,7
Segment sleeve		1111419	1111433	1111453	1111485
Work stop		1123317	1123330	1123349	1123380
Min-Ø mm		36,7	46,7	61,7	83,7
Segment sleeve		1111420	1111434	1111454	1111486
Work stop		1123318	1123331	1123350	1123381
Min-Ø mm		37,7	47,7	62,7	84,7
Segment sleeve		1111421	1111435	1111455	1111487
Work stop		1123319	1123332	1123351	1123382
Min-Ø mm		38,7	48,7	63,7	85,7
Segment sleeve		1111422	1111436	1111456	1111488
Work stop		1123320	1123333	1123352	1123383
Min-Ø mm			49,7	64,7	86,7
Segment sleeve			1111437	1111457	1111489
Work stop			1123334	1123353	1123384
Min-Ø mm			50,7	65,7	87,7
Segment sleeve			1111438	1111458	1111490
Work stop			1123335	1123354	1123385
Min-Ø mm			51,7	66,7	88,7
Segment sleeve			1111439	1111459	1111491
Work stop			1123336	1123355	1123386

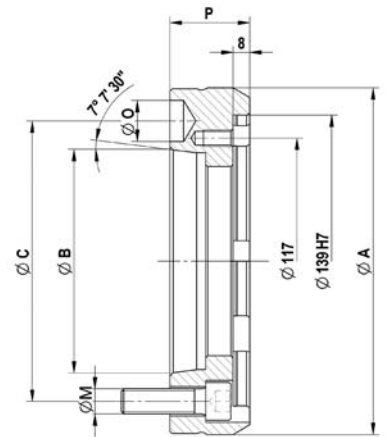
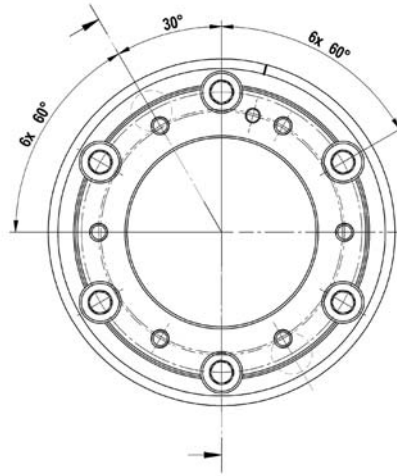
Accessories ABSIS

C 18

Segment clamping sleeve - standard design

	ABSIS 00	ABSIS 01	ABSIS 02	ABSIS 03	ABSIS 04
Expansion in Ø mm	1,2	1,2	1,2	1,2	1,2
Total length E mm	23	27	44	50	60
Min-Ø mm			52,7	67,7	89,7
Segment sleeve			1111440	1111460	1111492
Work stop			1123337	1123356	1123387
Min-Ø mm			53,7	68,7	90,7
Segment sleeve			1111441	1111461	1111493
Work stop			1123338	1123357	1123388
Min-Ø mm			54,7	69,7	91,7
Segment sleeve			1111442	1111462	1111494
Work stop			1123339	1123358	1123389
Min-Ø mm				70,7	92,7
Segment sleeve				1111463	1111495
Work stop				1123359	1123390
Min-Ø mm				71,7	93,7
Segment sleeve				1111464	1111496
Work stop				1123360	1123391
Min-Ø mm				72,7	94,7
Segment sleeve				1111465	1111497
Work stop				1123361	1123392
Min-Ø mm				73,7	95,7
Segment sleeve				1111466	1111498
Work stop				1123362	1123393
Min-Ø mm				74,7	96,7
Segment sleeve				1111467	1111499
Work stop				1123363	1123394
Min-Ø mm				75,7	97,7
Segment sleeve				1111468	1111500
Work stop				1123364	1123395
Min-Ø mm				76,7	98,7
Segment sleeve				1111469	1111501
Work stop				1123365	1123396
Min-Ø mm				77,7	99,7
Segment sleeve				1111470	1111502
Work stop				1123366	1123397
Min-Ø mm				78,7	100,7
Segment sleeve				1111471	1111503
Work stop				1123367	1123398
Min-Ø mm				79,7	101,7
Segment sleeve				1111472	1111504
Work stop				1123368	1123399
Min-Ø mm				80,7	102,7
Segment sleeve				1111473	1111505
Work stop				1123369	1123400
Min-Ø mm				81,7	103,7
Segment sleeve				1111474	1111506
Work stop				1123370	1123401
Min-Ø mm					104,7
Segment sleeve					1111507
Work stop					1123402
Min-Ø mm					105,7
Segment sleeve					1111508
Work stop					1123403

Accessories ABSIS

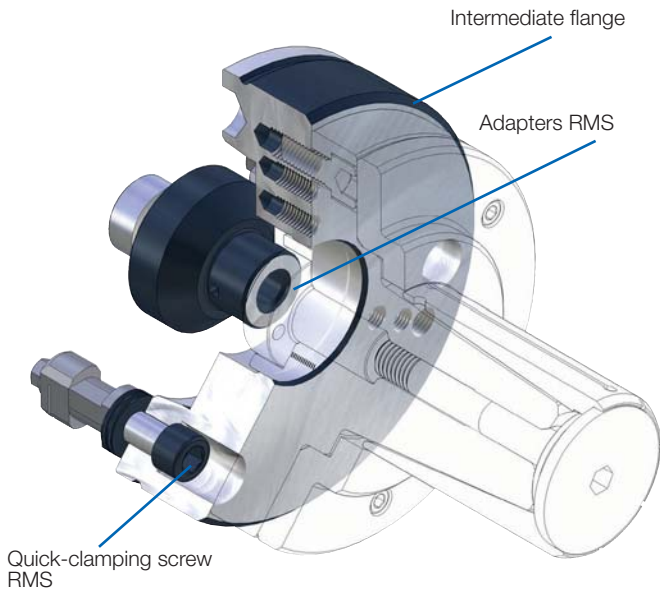


C 18

Intermediate flange ISO 702-1 (DIN 55028), for size 00-04

	Nr. 5 (A 05)	Nr. 6 (A 06)	Nr. 8 (A 08)	Nr. 11 (A 11)
Intermediate flange	1110005	1110006	1110008	1110011 ▲
Ø A mm	165	170	220	282
Ø B	82,563	106,375	139,719	196,869
Ø C mm	104,8	133,4	171,4	235
Thread-Ø M	M10	M12	M16	M20
Ø O mm	16,3	19,45	24,2	29,4
P mm	36	38	45	45

Accessories ABSIS



APPLICATION

For manual clamping devices exchange in a minimum of time.

TYPE

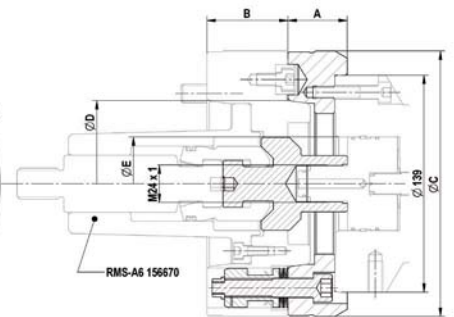
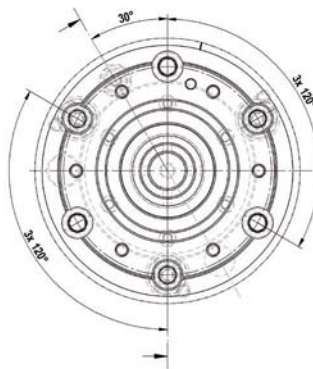
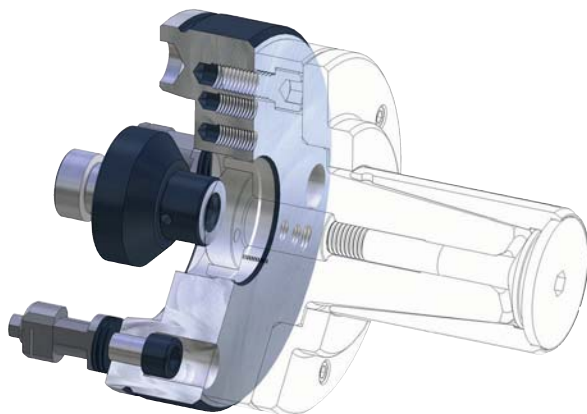
Manual quick-change system for clamping devices. Fits ABSIS (269-00), AGILIS (296-00). Central lubrication and / or air sensing control possible.

CUSTOMER BENEFITS

- ⊕ Manual clamping devices change in about 30 seconds
- ⊕ High change precision within 0.005 mm
- ⊕ Quick change of different clamping devices with short time, similar to the automatic or semiautomatic clamping devices changing systems

TECHNICAL FEATURES

- Quick-change system suitable due to recording RMS see quick-change system RMS (Product Group 6)
- Corresponds to the guidelines of the Employer's Liability Insurance Association in combination with ROHM safety clamping cylinder OVS and LVS



C18
RMS quick-change system, hand-operated for clamping devices

	KK 06	KK 08
RMS - complete (flange incl. quick-clamping screw)	1160028 ▲	1160029 ▲
Adapters RMS	1183312 ▲	1183313 ▲
A	38	45
Ø B	170	220
Ø C	133,4	171,4
Ø D	106,375	139,719
Ø E mm	M8	M8
Ø F mm	139 H7	139 H7