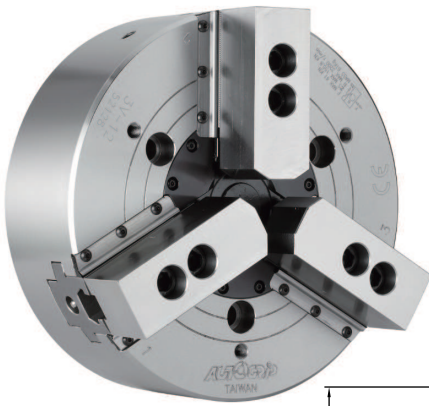


Application/customer benefits

- It's a WEDGE-HOOK type 3-jaw high speed power chuck.
- Sealed against swarf, chips and coolant, suitable for vertical lathe.



3V-15A8
3V-15A15
3V-18A8
3V-18A15
3V-21A11
3V-24A11
Refer to Fig.A

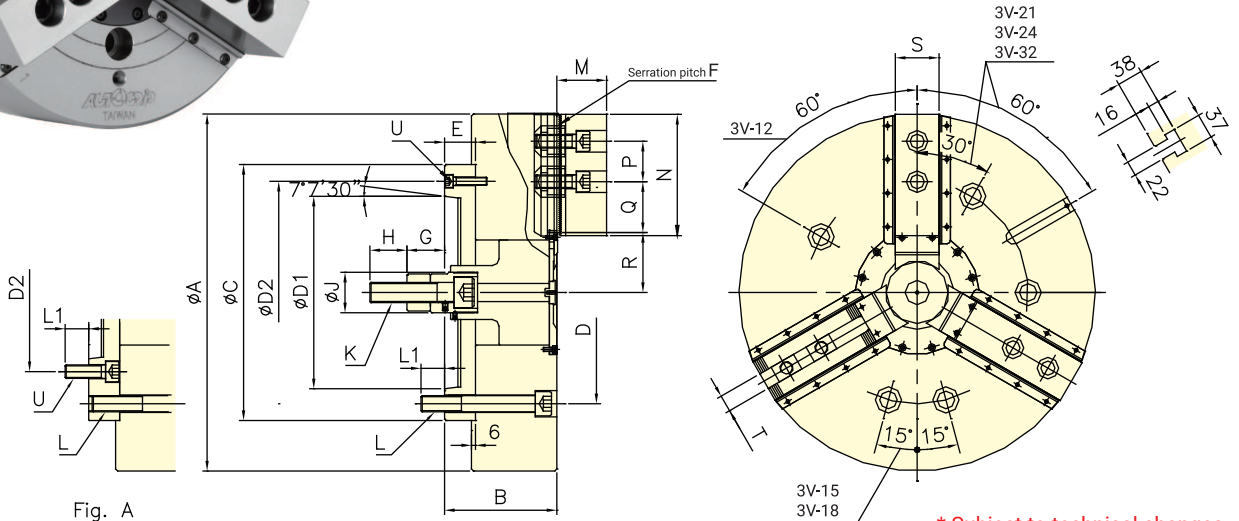


Fig. A

* Subject to technical changes.

Specifications

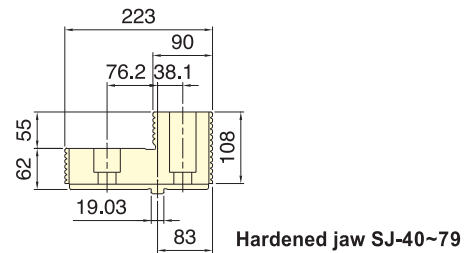
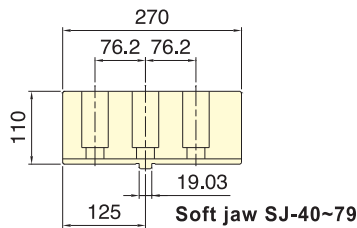
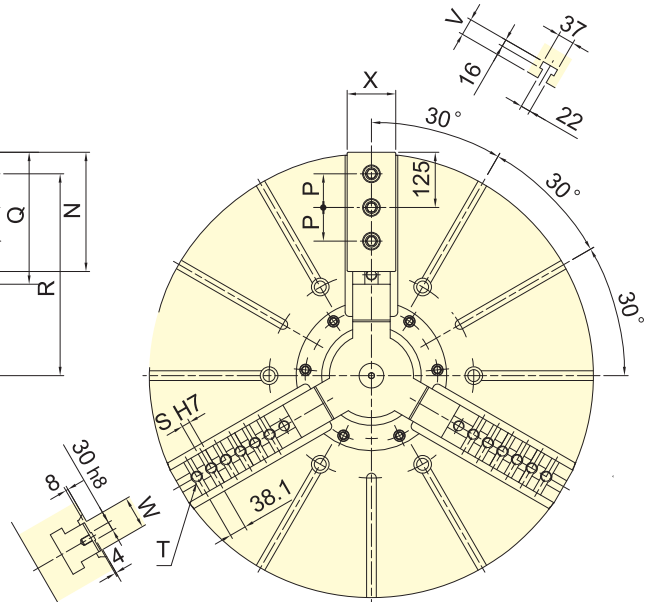
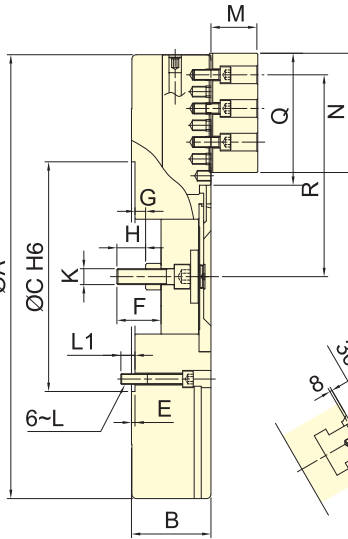
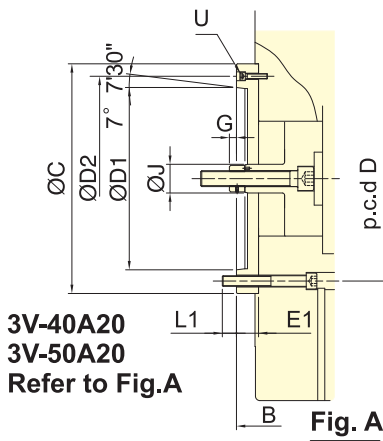
Model	Plunger stroke (mm)	Jaw stroke (Dia.) (mm)	Chucking Dia. Max. (mm)	Chucking Dia. Min. (mm)	Max. D.B. pull kN (kgf)	Max. clamping force kN (kgf)	Max. speed min ¹ (r.p.m.)	I kg · m ²	Weight (kg)	Matching cyl.	Max. pressure MPa (kgf/cm ²)
3V-12 A8	30	12.7	304	22	41(4180)	156(15900)	3150	0.8	66	RK-150 RE-150	2.9(29)
3V-15 A8	35	16	381	30	81.9(8360)	245.1(125000)	2900	2.3	130	RK-200 RE-200K	3.2(32) 3.4(34)
3V-15 A11	35	16	381	30	81.9(8360)	245.1(125000)	2900	2.3	129	RK-200 RE-200K	3.2(32) 3.4(34)
3V-15 A15	35	16	381	30	81.9(8360)	245.1(125000)	2900	2.7	137	RK-200 RE-200K	3.2(32) 3.4(34)
3V-18 A8	35	16	450	80	81.9(8360)	245.1(125000)	2600	3.3	159	RK-200 RE-200K	3.2(32) 3.4(34)
3V-18 A11	35	16	450	80	81.9(8360)	245.1(125000)	2600	3.3	158	RK-200 RE-200K	3.2(32) 3.4(34)
3V-18 A15	35	16	450	80	81.9(8360)	245.1(125000)	2600	3.7	165	RK-200 RE-200K	3.2(32) 3.4(34)
3V-21 A11	35	16	530	62	81.9(8360)	271.6(27700)	1800	5.3	229	RK-200 RE-200K	3.2(32) 3.4(34)
3V-21 A15	35	16	530	62	81.9(8360)	271.6(27700)	1800	5.2	222	RK-200 RE-200K	3.2(32) 3.4(34)
3V-24 A11	35	16	610	136	81.9(8360)	271.6(27700)	1700	7.6	270	RK-200 RE-200K	3.2(32) 3.4(34)
3V-24 A15	35	16	610	136	81.9(8360)	271.6(27700)	1700	7.3	263	RK-200 RE-200K	3.2(32) 3.4(34)
3V-32 A15	35	16	800	136	81.9(8360)	271.6(27700)	1100	36.2	430	RK-200 RE-200K	3.2(32) 3.4(34)

Dimensions

Model	A	B	C	D	D1	D2	E	F	G max.	G min.	H	J	K	L	L1	M	N	P	Q max.	Q min.	R max.	R min.	S	T	U
3V-12 A8	304	141	220	171.4	139.72	190	40	1.5	73	43	36	50	M20x2.5	3~M16	24	54	130	30	47.5	16	61	54.65	50	21	3~M8
3V-15 A8	381	164	300	235	139.72	171.4	54	1.5	99	64	55	60	M30x3.5	6~M20	24	66	165	43	51.25	18.25	77.5	69.5	62	25.5	6~M16
3V-15 A11	381	168	300	235	196.87	260	58	1.5	95	60	55	60	M30x3.5	6~M20	32	66	165	43	51.25	18.25	77.5	69.5	62	25.5	3~M10
3V-15 A15	381	172	380	235	285.78	330.2	62	1.5	91	56	55	60	M30x3.5	6~M20	26	66	165	43	51.25	18.25	77.5	69.5	62	25.5	6~M24
3V-18 A8	450	164	300	235	139.72	171.4	54	1.5	99	64	55	60	M30x3.5	6~M20	24	66	165	43	51.25	18.25	108	100	62	25.5	6~M16
3V-18 A11	450	168	300	235	196.87	260	58	1.5	95	60	55	60	M30x3.5	6~M20	32	66	165	43	51.25	18.25	108	100	62	25.5	3~M10
3V-18 A15	450	172	380	235	285.78	330.2	62	1.5	91	56	55	60	M30x3.5	6~M20	26	66	165	43	51.25	18.25	108	100	62	25.5	6~M24
3V-21 A11	530	167	380	330.2	196.87	235	46	3	91	56	55	60	M30x3.5	6~M24	35	74	180	60	93.5	24.5	89	81	65	25	6~M20
3V-21 A15	530	167	380	330.2	285.78	330.2	46	3	91	56	55	60	M30x3.5	6~M24	35	74	180	60	93.5	24.5	89	81	65	25	3~M12
3V-24 A11	610	167	380	330.2	196.87	235	46	3	91	56	55	60	M30x3.5	6~M24	35	74	180	60	93.5	24.5	128	120	65	25	6~M20
3V-24 A15	610	167	380	330.2	285.78	330.2	46	3	91	56	55	60	M30x3.5	6~M24	35	74	180	60	93.5	24.5	128	120	65	25	3~M12
3V-32 A15	800	167	380	330.2	285.78	330.2	46	3	91	56	55	60	M30x3.5	6~M24	35	74	180	60	189.5	24.5	128	120	65	25	3~M12

Application/customer benefits

- It's a WEDGE-HOOK type 3-jaw high speed power chuck.
- With manual radial setting of master jaws for the workpiece centering.
- Sealed against swarf, chips and coolant, suitable for vertical lathe.



* Subject to technical changes.

Specifications

Model	Plunger stroke (mm)	Jaw stroke (Dia.) (mm)	Chucking Dia. Max. (mm)	Chucking Dia. Min. (mm)	Max. D.B. pull kN (kgf)	Max. clamping force kN (kgf)	Max. speed min ⁻¹ (r.p.m.)	I kg · m ²	Weight (kg)	Matching cyl.	Max. pressure MPa (kgf/cm ²)
3V-40 A20	57	46+(60)	1005	380	180(18350)	320(32620)	630	68 72	780 849	RK-250,RE-250 RE-A250,RE-L250	4.24(43.2)
3V-50 A20	57	46+(60)	1250	600	180(18350)	320(32620)	500	145 148	800 869	RK-250,RE-250 RE-A250,RE-L250	4.24(43.2)
3V-63	60	48+(80)	1600	600	200(20390)	360(36700)	400	500	1600	RK-250,RE-250 RE-A250,RE-L250	4.76(46.7)
3V-79	60	48+(80)	2000	1000	200(20390)	360(36700)	320	1250	2500	RK-250,RE-250 RE-A250,RE-L250	4.76(46.7)

Dimensions

Model	A	B	C	D	D1	D2	E	E1	F	G max.	G min.	H	J	K	L	L1	M	N	P	Q	R max.	R min.	S	T	U	V	W	X			
3V-40 A20	1005	184	222	520	463.6	412.78	463.6	8	50	100	24	73	-33	16	65	65	M36x4	M24	37	110	270	76.2	295	457	404	6~19.03	7~M24	3~M12	38	85	84
3V-50 A20	1250	184	222	520	463.6	412.78	463.6	8	50	100	24	73	-33	16	65	65	M36x4	M24	37	110	270	76.2	416	563	510	9~19.03	9~M24	3~M12	38	85	84
3V-63	1600	222	720	647.6	-	-	8	-	218	131	71	65	-	M36x4	M30	46	110	270	76.2	540	738	674	12~19.03	13~M24	-	42	110	110			
3V-79	2000	240	720	647.6	-	-	8	-	238	133	73	65	-	M36x4	M30	48	110	270	76.2	740	914	850	16~19.03	17~M24	-	42	110	110			

The dimensions and the specifications of 3V-A type are in the red data.