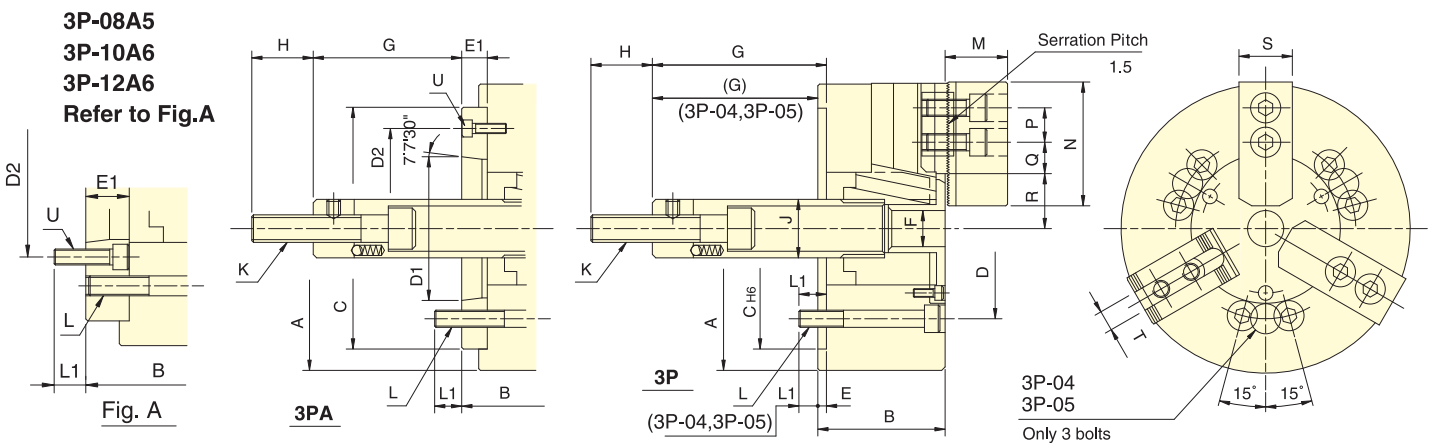




### Application/customer benefits

- It's a WEDGE-HOOK type 3-jaw power chuck.
- Matching surfaces of all parts hardened, ground and lubricated directly.



\* Subject to technical changes.

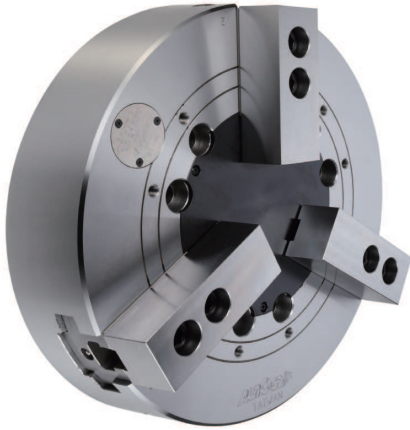
### Specifications

Model	Plunger stroke (mm)	Jaw stroke (Dia.) (mm)	Chucking Dia. Max. (mm)	Chucking Dia. Min. (mm)	Max. D.B. pull kN (kgf)	Max. clamping force kN (kgf)	Max. speed min <sup>-1</sup> (r.p.m.)	I kg · m <sup>2</sup>	Weight (kg)	Matching cyl.	Max. pressure MPa (kgf/cm <sup>2</sup> )
3P-04	15	6.4	110	5	8.1(830)	22.5(2300)	6000	0.01	4.1	RK-75(N) RA-130	2.2(22) 0.6(6)
3P-05	15	6.4	135	14	8.1(830)	25(2550)	5500	0.02	6.2	RK-75(N) RA-130	2.2(22) 0.6(6)
3P-06 <b>A5</b>	20	8.5	165	14	17.9(1830)	52.4(5350)	5250	0.05	13 <b>14</b>	RK-100(N) RA-170	2.6(26) 0.6(6)
3P-08 <b>A5</b>	21	8.8	210	17	25(2550)	74.5(7600)	4750	0.14	24 <b>28</b>	RK-125(N) RA-220	2.3(23) 0.5(5)
3P-08 <b>A6</b>	21	8.8	210	17	25(2550)	74.5(7600)	4750	0.14	24 <b>27</b>	RK-125(N) RA-220	2.3(23) 0.5(5)
3P-10 <b>A6</b>	25	8.8	254	22	28.9(2950)	107.8(11000)	4000	0.3	35 <b>42</b>	RK-125(N) RA-220	2.6(26) 0.6(6)
3P-10 <b>A8</b>	25	8.8	254	22	28.9(2950)	107.8(11000)	4000	0.3	35 <b>40</b>	RK-125(N) RA-220	2.6(26) 0.6(6)
3P-12 <b>A6</b>	30	10.5	304	22	41(4180)	155.8(15900)	3360	0.73	59 <b>65</b>	RK-150(N) RA-270	2.6(26) 0.8(8)
3P-12 <b>A8</b>	30	10.5	304	22	41(4180)	155.8(15900)	3360	0.73	59 <b>63</b>	RK-150(N) RA-270	2.6(26) 0.8(8)

### Dimensions

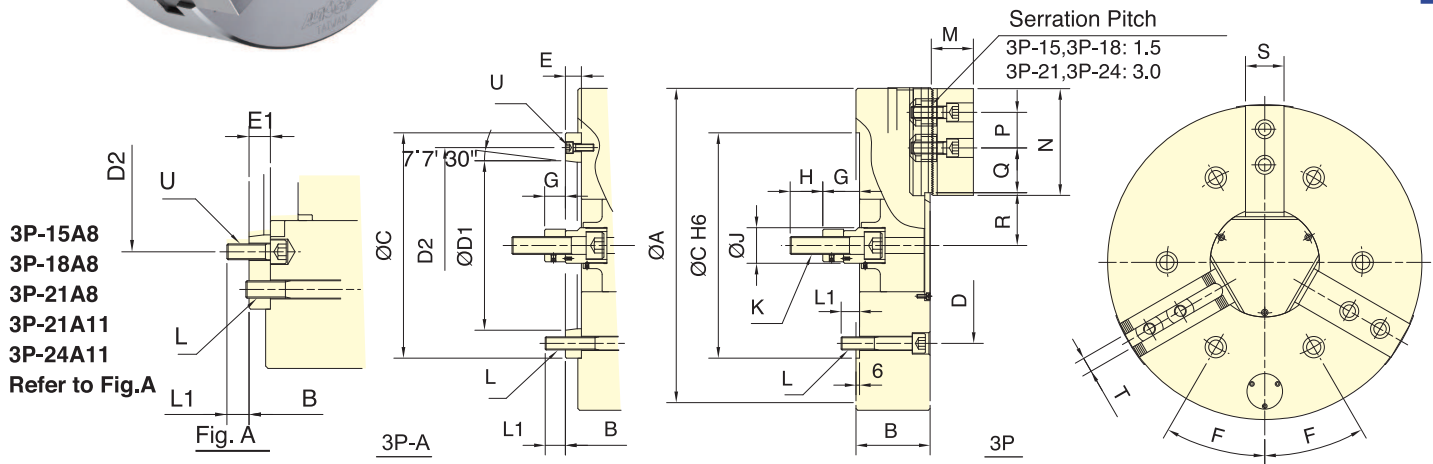
Model	A	B	B	C	D	D1	D2	E	E1	F	G max.	G max.	G min.	G min.	H	J	K	L	L1	L1	M	N	P	Q max.	Q min.	R max.	R min.	S	T	U
3P-04	110	52	-	60	80	-	-	6	-	-	18	-	3	-	25	26	M10x1.5	3~M8	12	-	24	52	14	11.3	8.3	23.3	20.1	23	10	-
3P-05	135	55	-	80	100	-	-	7	-	-	9	-	-6	-	35	28	M12x1.75	3~M8	14	-	31	62	14	13.5	6	30.4	27.2	25	10	-
3P-06 <b>A5</b>	165	74	<b>84</b>	140	104.8	<b>82.56</b>	<b>116</b>	5	<b>15</b>	21	102.5	<b>87.6</b>	82.6	<b>67.6</b>	35	34	M16x2	6~M10	14	<b>14</b>	37	73	20	18.25	9.25	38.25	34	31	12	3~M6
3P-08 <b>A5</b>	210	85	<b>103</b>	170	133.4	<b>82.56</b>	<b>104.8</b>	5	<b>23</b>	25	127	<b>104</b>	106	<b>83</b>	36	38	M20x2.5	6~M12	20	<b>17</b>	38	95	25	22.3	11.8	46.3	41.9	35	14	6~M10
3P-08 <b>A6</b>	210	85	<b>97</b>	170	133.4	<b>106.38</b>	<b>150</b>	5	<b>17</b>	25	127	<b>110</b>	106	<b>89</b>	36	38	M20x2.5	6~M12	20	<b>18</b>	38	95	25	22.3	11.8	46.3	41.9	35	14	3~M6
3P-10 <b>A6</b>	254	89	<b>109</b>	220	171.4	<b>106.38</b>	<b>133.4</b>	5	<b>25</b>	34	158	<b>133</b>	133	<b>108</b>	36	45	M20x2.5	6~M16	18	<b>18</b>	43	110	30	30.8	11.3	51.1	46.7	40	16	6~M12
3P-10 <b>A8</b>	254	89	<b>102</b>	220	171.4	<b>139.72</b>	<b>190</b>	5	<b>18</b>	34	158	<b>140</b>	133	<b>115</b>	36	45	M20x2.5	6~M16	18	<b>25</b>	43	110	30	30.8	11.3	51.1	46.7	40	16	3~M8
3P-12 <b>A6</b>	304	106	<b>125</b>	220	171.4	<b>106.38</b>	<b>133.4</b>	6	<b>25</b>	34	163	<b>138</b>	133	<b>108</b>	36	50	M20x2.5	6~M16	18	<b>18</b>	51	130	30	48.5	12.5	-	-	50	18 or 21	6~M12
3P-12 <b>A8</b>	304	106	<b>118</b>	220	171.4	<b>139.72</b>	<b>190</b>	6	<b>18</b>	34	163	<b>145</b>	133	<b>115</b>	36	50	M20x2.5	6~M16	18	<b>25</b>	51	130	30	48.5	12.5	-	-	50	18 or 21	3~M8

The dimensions and the specifications of 3P-A type are in the red data.



### Application/customer benefits

- It's a WEDGE-HOOK type 3-jaw power chuck.
- Matching surfaces of all parts hardened, ground and lubricated directly.



\* Subject to technical changes.

### Specifications

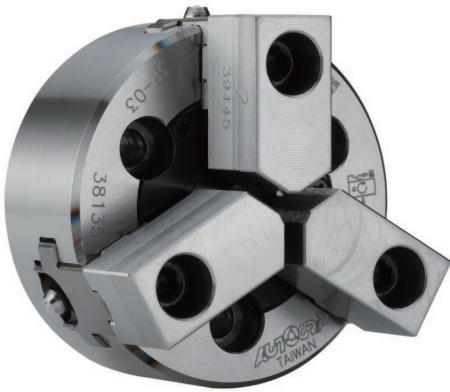
Model	Plunger stroke (mm)	Jaw stroke (Dia.) (mm)	Chucking Dia. Max. (mm)	Chucking Dia. Min. (mm)	Max. D.B. pull kN (kgf)	Max. clamping force kN (kgf)	Max. speed min <sup>-1</sup> (r.p.m.)	I kg · m <sup>2</sup>	Weight (kg)	Matching cyl.	Max. pressure MPa (kgf/cm <sup>2</sup> )	
3P-15 <b>A8</b>	35	16	381	50	82(8360)	248.4(25350)	3000	1.95	100	<b>114</b>	RH-200 or RK-200(N)	2.8(28)
3P-15 <b>A11</b>	35	16	381	50	82(8360)	248.4(25350)	3000	1.95	100	<b>107</b>	RH-200 or RK-200(N)	2.8(28)
3P-18 <b>A8</b>	35	16	450	60	82(8360)	248.4(25350)	2700	2.47	131	<b>145</b>	RH-200 or RK-200(N)	2.8(28)
3P-18 <b>A11</b>	35	16	450	60	82(8360)	248.4(25350)	2700	2.47	131	<b>138</b>	RH-200 or RK-200(N)	2.8(28)
3P-21 <b>A8</b>	35	16	530	62	82(8360)	272.6(27800)	1900	4.9	175	<b>196</b>	RH-200 or RK-200(N)	2.8(28)
3P-21 <b>A11</b>	35	16	530	62	82(8360)	272.6(27800)	1900	4.9	175	<b>193</b>	RH-200 or RK-200(N)	2.8(28)
3P-21 <b>A15</b>	35	16	530	62	82(8360)	272.6(27800)	1900	4.9	175	<b>186</b>	RH-200 or RK-200(N)	2.8(28)
3P-24 <b>A11</b>	35	16	610	152	82(8360)	272.6(27800)	1750	7	216	<b>234</b>	RH-200 or RK-200(N)	2.8(28)
3P-24 <b>A15</b>	35	16	610	152	82(8360)	272.6(27800)	1750	7	216	<b>227</b>	RH-200 or RK-200(N)	2.8(28)
*3P-32 <b>A15</b>	35	16	800	152	82(8360)	272.6(27800)	1100	36.2	426	<b>440</b>	RH-200 or RK-200(N)	2.8(28)
*3P-40 <b>A15</b>	35	16	1000	158	82(8360)	272.6(27800)	800	98.5	776	<b>790</b>	RH-200 or RK-200(N)	2.8(28)

### Dimensions

Model	A	B	B	C	D	D1	D2	E	F	G max.	G max.	G min.	G min.	H	J	K	L	L1	L1	M	N	P	Q max.	Q min.	R max.	R min.	S	T	U
3P-15 <b>A8</b>	381	114	<b>141</b>	300	235	<b>139.72</b>	<b>171.4</b>	<b>33</b>	<b>15°</b>	104	<b>71</b>	69	<b>36</b>	55	60	M30x3.5	6~M20	30	<b>29</b>	63	165	43	48.8	23.3	77.5	69.5	62	25.5	6~M16
3P-15 <b>A11</b>	381	114	<b>130</b>	300	235	<b>196.87</b>	<b>260</b>	<b>22</b>	<b>15°</b>	104	<b>82</b>	69	<b>47</b>	55	60	M30x3.5	6~M20	30	<b>33</b>	63	165	43	48.8	23.3	77.5	69.5	62	25.5	3~M10
3P-18 <b>A8</b>	450	114	<b>141</b>	300	235	<b>139.72</b>	<b>171.4</b>	<b>33</b>	<b>15°</b>	92	<b>59</b>	57	<b>24</b>	55	60	M30x3.5	6~M20	30	<b>24</b>	63	165	43	48.8	23.3	108	100	62	25.5	6~M16
3P-18 <b>A11</b>	450	114	<b>130</b>	300	235	<b>196.87</b>	<b>260</b>	<b>22</b>	<b>15°</b>	92	<b>70</b>	57	<b>35</b>	55	60	M30x3.5	6~M20	30	<b>33</b>	63	165	43	48.8	23.3	108	100	62	25.5	3~M10
3P-21 <b>A8</b>	530	125	<b>146</b>	380	330.2	<b>139.72</b>	<b>171.4</b>	<b>27</b>	<b>30°</b>	97	<b>70</b>	62	<b>35</b>	55	60	M30x3.5	6~M24	31	<b>23</b>	73	180	60	90.5	24.5	89	81	65	25	6~M16
3P-21 <b>A11</b>	530	125	<b>146</b>	380	330.2	<b>196.87</b>	<b>235</b>	<b>27</b>	<b>30°</b>	97	<b>70</b>	62	<b>35</b>	55	60	M30x3.5	6~M24	31	<b>28</b>	73	180	60	90.5	24.5	89	81	65	25	6~M20
3P-21 <b>A15</b>	530	125	<b>146</b>	380	330.2	<b>285.78</b>	<b>330.2</b>	<b>27</b>	<b>30°</b>	97	<b>70</b>	62	<b>35</b>	55	60	M30x3.5	6~M24	31	<b>34</b>	73	180	60	90.5	24.5	89	81	65	25	3~M12
3P-24 <b>A11</b>	610	125	<b>146</b>	380	330.2	<b>196.87</b>	<b>235</b>	<b>27</b>	<b>30°</b>	97	<b>70</b>	62	<b>35</b>	55	60	M30x3.5	6~M24	31	<b>28</b>	73	180	60	90.5	24.5	128	120	65	25	6~M20
3P-24 <b>A15</b>	610	125	<b>146</b>	380	330.2	<b>285.78</b>	<b>330.2</b>	<b>27</b>	<b>30°</b>	97	<b>70</b>	62	<b>35</b>	55	60	M30x3.5	6~M24	31	<b>34</b>	73	180	60	90.5	24.5	128	120	65	25	3~M12
* 3P-32 <b>A15</b>	800	127	<b>148</b>	380	330.2	<b>285.78</b>	<b>330.2</b>	<b>27</b>	<b>30°</b>	97	<b>70</b>	62	<b>35</b>	55	60	M30x3.5	6~M24	31	<b>34</b>	74.2	180	60	189.5	24.5	128	120	65	25	3~M12
* 3P-40 <b>A15</b>	1000	127	<b>148</b>	380	330.2	<b>285.78</b>	<b>330.2</b>	<b>27</b>	<b>30°</b>	97	<b>70</b>	62	<b>35</b>	55	60	M30x3.5	6~M24	31	<b>34</b>	74	180	60	288.5	24.5	128	120	65	25	3~M12

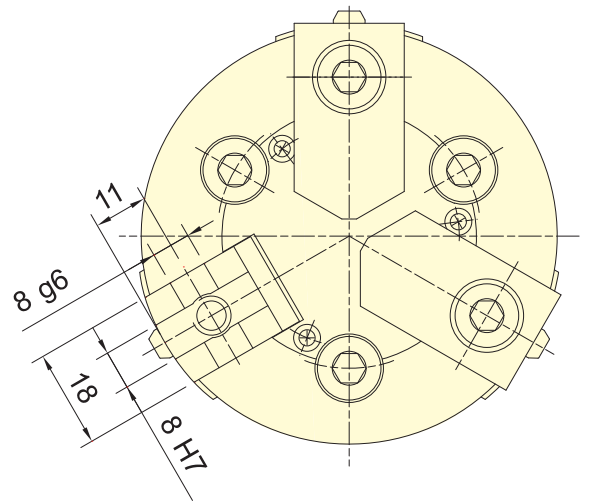
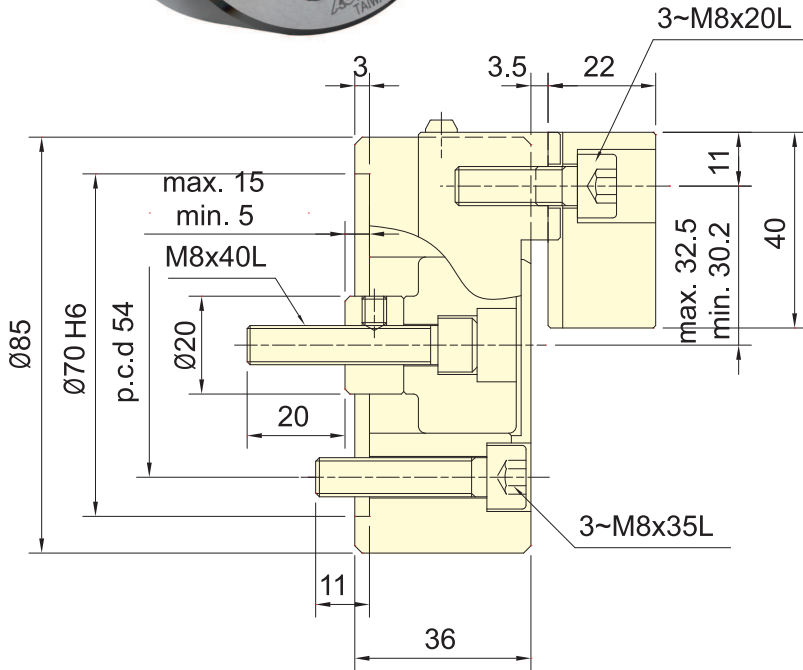
The dimensions and the specifications of 3P-A type are in the red data.

\*model produced only by order.



#### Application/customer benefits

- It's a WEDGE-HOOK type 3-jaw mini power chuck.
- Matching surfaces of all parts hardened, ground and lubricated directly.
- Suitable for bench lathe.



\* Subject to technical changes.

#### Specifications

Model	Plunger stroke (mm)	Jaw stroke (Dia.) (mm)	Chucking Dia. Max. (mm)	Chucking Dia. Min. (mm)	Max. D.B. pull kN (kgf)	Max. clamping force kN (kgf)	Max. speed min <sup>-1</sup> (r.p.m.)	l kg · m <sup>2</sup>	Weight (kg)	Matching cyl.	Max. pressure MPa(kgf/cm <sup>2</sup> )
3P-03	10	4.6	85	3	4.5(460)	11.3(1150)	7000	0.004	1.8	RK-75	1.2(12.4)

#### Standard Soft Jaw For 3P-03 Power Chuck SJ-K03

